

QCC4040A

High Power, High Isolation

Features:

- * High Power
- * High Isolation
- * Low Insertion Loss
- * Low VSWR

Applications:

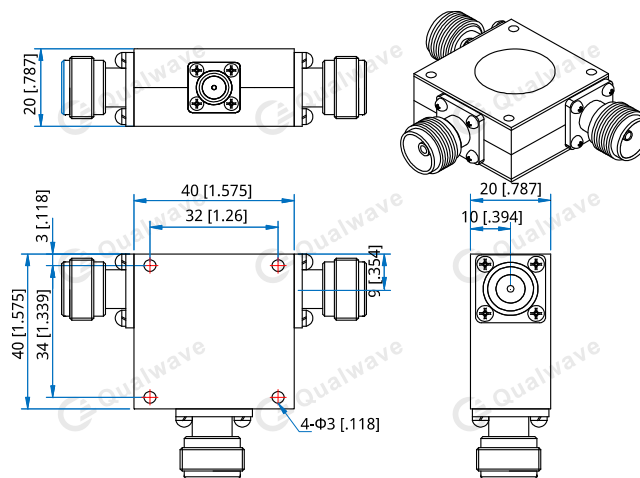
- * Wireless
- * Radar
- * Laboratory Test

Description

QCC4040A series Coaxial Circulators cover frequency range 1.8~3.6GHz. High power, high isolation and low insertion loss make it ideal for a lot of applications like amplifiers, transceivers, etc.

Specifications

Frequency (MHz)	Bandwidth (MHz)	IL (dB Max.)	Isolation (dB Min.)	VSWR (Max.)	Average Power (W)	Connector	Temperature (°C)
1800-3600	1800	0.70	17.0	1.35	100	N	0~+60

Outline Drawings


Unit: mm [inch]

 Tolerance: $\pm 0.2\text{mm}$ [$\pm 0.008\text{in}$]

Mechanical

Size*1: 40*40*20mm
1.575*1.575*0.787in
Mounting: 4-Φ3mm through-hole

[1] Exclude connectors

Connector Naming Rules:

N - N Female

Direction Naming Rules:

- 1 - Clockwise
- 2 - Anticlockwise

How To Order
QCC4040A-V-W-X-Y-Z

V: Start frequency in MHz

W: Stop frequency in MHz

X: Average power in W

Y: Connector type

Z: Direction type

Examples:

To order a QCC4040A series Circulator, 1800~3600MHz, 100W, N female, Clockwise, specify QCC4040A-1800-3600-K1-N-1.

Customization is available upon request.