

# QCC3538X

## High Power, High Isolation

**Features:**

- \* High Power
- \* High Isolation
- \* Low Insertion Loss
- \* Low VSWR

**Applications:**

- \* Wireless
- \* Radar
- \* Laboratory Test

**Description**

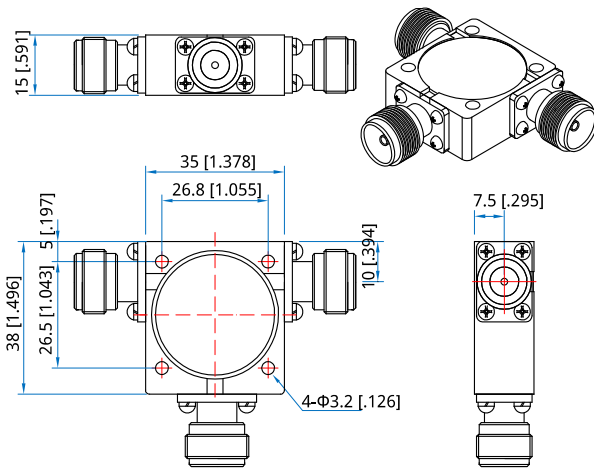
QCC3538X series Coaxial Circulators cover frequency range 300~1850MHz. High power, high isolation and low insertion loss make it ideal for a lot of applications like amplifiers, transceivers, etc.

**Specifications**

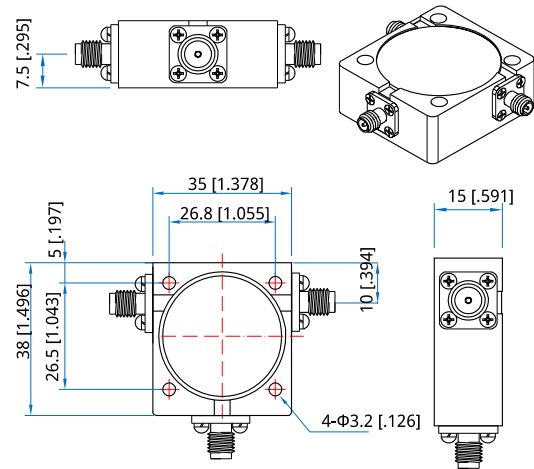
Frequency (MHz)	Bandwidth (MHz)	IL (dB Max.)	Isolation (dB Min.)	VSWR (Max.)	Average Power*1 (W)	Connector	Temperature (°C)
300-350	50	0.70	18.0	1.35	100~300	SMA, N	-30~+70
300-400	20	0.40	20.0	1.25	100~300	SMA, N	-30~+70
350-370	20	0.40	23.0	1.20	100~300	SMA, N	-30~+70
361-366	5	0.40	23.0	1.20	100~300	SMA, N	-30~+70
400-470	70	0.40	20.0	1.25	100~300	SMA, N	-30~+70
400-600	20	0.30	23.0	1.20	100~300	SMA, N	-30~+70
400-600	50	0.40	20.0	1.25	100~300	SMA, N	-30~+70
470-570	100	0.40	20.0	1.25	100~300	SMA, N	-30~+70
500-700	200	0.70	18.0	1.30	100~300	SMA, N	-30~+70
600-800	30	0.25	25.0	1.15	100~300	SMA, N	-30~+70
600-800	100	0.30	23.0	1.20	100~300	SMA, N	-30~+70
600-800	200	0.45	19.0	1.25	100~300	SMA, N	-30~+70
700-900	200	0.40	20.0	1.25	100	N	-30~+75
700-1000	30	0.25	25.0	1.15	100~300	SMA, N	-30~+70
700-1000	100	0.30	23.0	1.20	100~300	SMA, N	-30~+70
700-1000	200	0.50	18.0	1.30	100~300	SMA, N	-30~+70
950-1450	500	0.60	18.0	1.30	100~300	SMA, N	-30~+70
960-1200	240	0.40	20.0	1.25	100	N	-30~+75
960-1215	255	0.40	20.0	1.25	100~300	SMA, N	-30~+70
960-1260	300	0.45	20.0	1.25	100~300	SMA, N	-30~+70
1000-1500	500	0.60	18.0	1.30	100~300	SMA, N	-30~+70
1020-1040	20	0.25	25.0	1.15	100~300	SMA, N	-30~+70
1160-1610	450	0.50	20.0	1.25	100~300	SMA, N	-30~+70
1290-1310	20	0.25	25.0	1.15	100~300	SMA, N	-30~+70
1350-1850	500	0.50	20.0	1.25	100~300	SMA, N	-30~+70

[1] The connector is SMA, and the maximum average power can only reach 100W

## Outline Drawings



Outline A



Outline B

Unit: mm [inch] Tolerance:  $\pm 0.2\text{mm}$  [ $\pm 0.008\text{in}$ ]

### Mechanical

Size<sup>\*2</sup>: 35\*38\*15mm  
1.378\*1.496\*0.591in

Mounting: 4- $\Phi 3.2\text{mm}$  through-hole

[2] Exclude connectors

### Connector Naming Rules:

N - N Female (Outline A)

S - SMA Female (Outline B)

### Direction Naming Rules:

1 - Clockwise

2 - Anticlockwise

### How To Order

#### QCC3538X-V-W-X-Y-Z

V: Start frequency in MHz

W: Stop frequency in MHz

X: Average power in W

Y: Connector type

Z: Direction type

#### Examples:

To order a QCC3538X series Circulator, 310~340MHz, 100W, N female, Clockwise, specify QCC3538X-310-340-K1-N-1.

Customization is available upon request.