

QCC3234A

High Power, High Isolation

Features:
 * High Power
 * High Isolation
 * Low Insertion Loss
 * Low VSWR

Applications:
 * Wireless
 * Radar
 * Laboratory Test

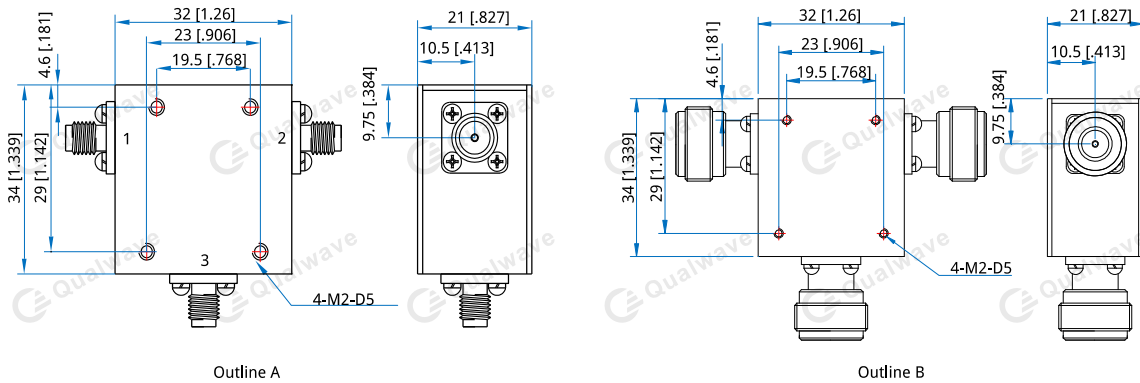
Description

QCC3234A series Coaxial Circulators cover frequency range 2~4GHz. High power, high isolation and low insertion loss make it ideal for a lot of applications like amplifiers, transceivers, etc.

Specifications

Frequency (MHz)	Bandwidth (MHz)	IL (dB Max.)	Isolation (dB Min.)	VSWR (Max.)	Average Power (W)	Connector	Temperature (°C)
2000~4000	2000	0.60	17	1.35	100	SMA, N	0~+60

Outline Drawings



Unit: mm [inch] Tolerance: ±0.2mm [±0.008in]

Mechanical

Size*1: 32*34*21mm
 1.26*1.339*0.827in
 Mounting: 4-M2, depth 5mm

[1] Exclude connectors

Connector Naming Rules:

S - SMA Female (Outline A)
 N - N Female (Outline B)

Direction Naming Rules:

1 - Clockwise
 2 - Anticlockwise

How To Order

QCC3234A-V-W-X-Y-Z

V: Start frequency in MHz
 W: Stop frequency in MHz
 X: Average power in W
 Y: Connector type
 Z: Direction type

Examples:

To order a QCC3234A series Circulator, 2000~4000MHz, 100W, SMA female, Clockwise, specify QCC3234A-2000-4000-K1-S-1.

Customization is available upon request.