

## QCC3033X

### High Power, High Isolation

**Features:**

- \* High Power
- \* High Isolation
- \* Low Insertion Loss
- \* Low VSWR

**Applications:**

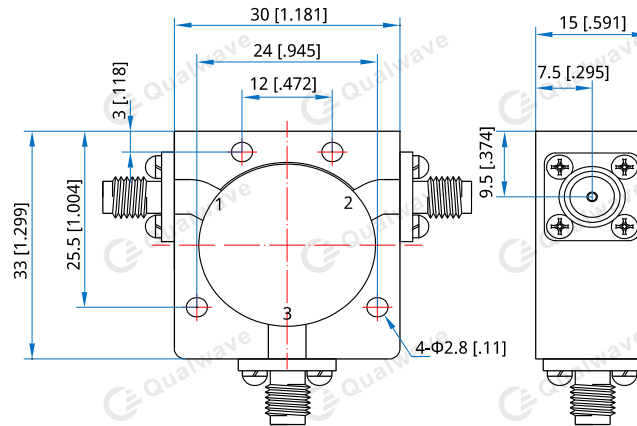
- \* Wireless
- \* Radar
- \* Laboratory Test

**Description**

QCC3033X series Coaxial Circulators cover frequency range 700~3000MHz. High power, high isolation and low insertion loss make it ideal for a lot of applications like amplifiers, transceivers, etc.

**Specifications**

| Frequency<br>(MHz) | Bandwidth<br>(MHz) | IL<br>(dB Max.) | Isolation<br>(dB Min.) | VSWR<br>(Max.) | Average Power<br>(W Max.) | Connector | Temperature<br>(°C) |
|--------------------|--------------------|-----------------|------------------------|----------------|---------------------------|-----------|---------------------|
| 700~1300           | 100                | 0.30            | 23.0                   | 1.20           | 100                       | SMA       | -30~+70             |
| 700~1300           | 200                | 0.40            | 20.0                   | 1.25           | 100                       | SMA       | -30~+70             |
| 700~900            | 200                | 0.40            | 20.0                   | 1.25           | 100                       | SMA       | -30~+70             |
| 800~1000           | 200                | 0.60            | 17.0                   | 1.35           | 100                       | SMA       | -30~+70             |
| 890~960            | 70                 | 0.25            | 25.0                   | 1.15           | 100                       | SMA       | -30~+70             |
| 950~1450           | 500                | 0.60            | 15.0                   | 1.45           | 100                       | SMA       | -30~+70             |
| 960~1215           | 255                | 0.30            | 21.0                   | 1.20           | 100                       | SMA       | -30~+70             |
| 960~1260           | 300                | 0.45            | 20.0                   | 1.25           | 100                       | SMA       | -30~+70             |
| 1030~1090          | 60                 | 0.25            | 25.0                   | 1.15           | 100                       | SMA       | -30~+70             |
| 1290~1310          | 20                 | 0.25            | 25.0                   | 1.15           | 100                       | SMA       | -30~+70             |
| 1300~3000          | 200                | 0.30            | 23.0                   | 1.20           | 100                       | SMA       | -30~+70             |
| 1300~3000          | 300                | 0.45            | 18.0                   | 1.30           | 100                       | SMA       | -30~+70             |
| 1350~1850          | 500                | 0.60            | 15.0                   | 1.45           | 100                       | SMA       | -30~+70             |
| 1400~1700          | 300                | 0.45            | 20.0                   | 1.25           | 100                       | SMA       | -30~+70             |
| 1700~2300          | 600                | 0.50            | 20.0                   | 1.25           | 100                       | SMA       | -30~+70             |
| 1900~2200          | 300                | 0.40            | 20.0                   | 1.25           | 100                       | SMA       | -30~+70             |
| 2100~2700          | 600                | 0.50            | 18.0                   | 1.35           | 100                       | SMA       | -30~+70             |
| 2200~2400          | 200                | 0.30            | 23.0                   | 1.20           | 100                       | SMA       | -30~+70             |
| 2300~2700          | 400                | 0.40            | 20.0                   | 1.25           | 100                       | SMA       | -30~+70             |
| 2500~2700          | 200                | 0.30            | 23.0                   | 1.20           | 100                       | SMA       | -30~+70             |
| 2700~2900          | 200                | 0.30            | 23.0                   | 1.20           | 100                       | SMA       | -30~+70             |
| 2800~3000          | 200                | 0.30            | 23.0                   | 1.20           | 100                       | SMA       | -30~+70             |

**Outline Drawings**


Unit: mm [inch]      Tolerance:  $\pm 0.2\text{mm}$  [ $\pm 0.008\text{in}$ ]

**Mechanical**

Size<sup>\*1</sup>: 30\*33\*15mm  
1.181\*1.299\*0.591in

Mounting: 4- $\Phi 2.8\text{mm}$  through-hole

[1] Exclude connectors

**Connector Naming Rules:**

S - SMA Female

**Direction Naming Rules:**

1 - Clockwise

2 - Anticlockwise

**How To Order**
**QCC3033X-V-W-X-Y-Z**

V: Start frequency in MHz

W: Stop frequency in MHz

X: Average power in W

Y: Connector type

Z: Direction type

**Examples:**

To order a QCC3033X series Circulator, 700~900MHz, 100W, SMA female, Clockwise, specify QCC3033X-700-900-K1-S-1.

Customization is available upon request.