

QCC2123B

High Power, High Isolation

Features:

- * High Power
- * High Isolation
- * Low Insertion Loss
- * Low VSWR

Applications:

- * Wireless
- * Radar
- * Laboratory Test

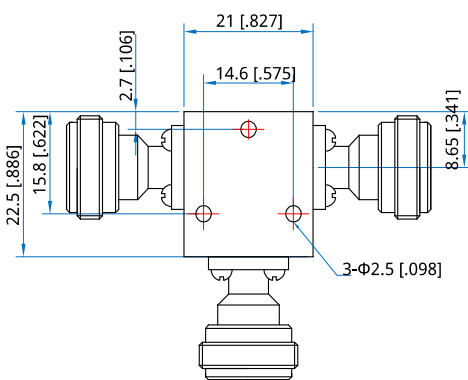
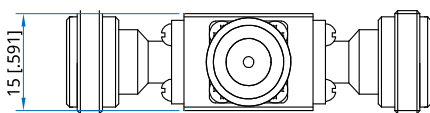
Description

QCC2123B series Coaxial Circulators cover frequency range 4–8GHz. High power, high isolation and low insertion loss make it ideal for a lot of applications like amplifiers, transceivers, etc.

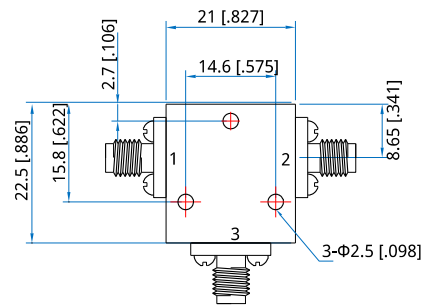
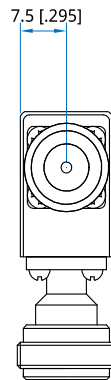
Specifications

Frequency (MHz)	Bandwidth (MHz)	IL (dB Max.)	Isolation (dB Min.)	VSWR (Max.)	Average Power (W)	Connector	Temperature (°C)
4000~8000	4000	0.60	18.0	1.35	50	SMA, N	-10~+60

Outline Drawings



Outline A



Outline B

Unit: mm [inch] Tolerance: ±0.2mm [±0.008in]

Mechanical

Size*1: 21*22.5*15mm
0.827*0.886*0.591in

Mounting: 3-Φ2.5mm through-hole

[1] Exclude connectors

Connector Naming Rules:

- N - N Female (Outline A)
- S - SMA Female (Outline B)

Direction Naming Rules:

- 1 - Clockwise
- 2 - Anticlockwise

How To Order

QCC2123B-V-W-X-Y-Z

- V: Start frequency in MHz
- W: Stop frequency in MHz
- X: Average power in W
- Y: Connector type

Z: Direction type

Examples:

To order a QCC2123B series Circulator, 4~8GHz, 50W, SMA female,
Clockwise, specify QCC2123B-4000-8000-50-S-1.

Customization is available upon request.