

QCC1623C

High Power, High Isolation

Features:

- * High Power
- * High Isolation
- * Low Insertion Loss
- * Low VSWR

Applications:

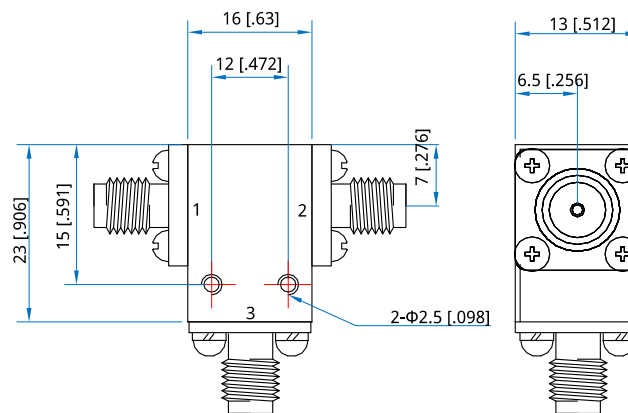
- * Wireless
- * Radar
- * Laboratory Test

Description

QCC1623C series Coaxial Circulators cover frequency range 5725~5850MHz. High power, high isolation and low insertion loss make it ideal for a lot of applications like amplifiers, transceivers, etc.

Specifications

Frequency (MHz)	Bandwidth (MHz)	IL (dB Max.)	Isolation (dB Min.)	VSWR (Max.)	Average Power (W)	Connector	Temperature (°C)
5725~5850	125	0.3	23.0	1.20	100	SMA	-20~+80

Outline Drawings


Unit: mm [inch] Tolerance: $\pm 0.2\text{mm}$ [$\pm 0.008\text{in}$]

Mechanical

Size*1: 16*23*13mm
0.63*0.906*0.512in

Mounting: 2- $\Phi 2.5\text{mm}$ through-hole

[1] Exclude connectors

Connector Naming Rules:

S - SMA Female

Direction Naming Rules:

- 1 - Clockwise
- 2 - Anticlockwise

How To Order
QCC1623C-V-W-X-Y-Z

- V: Start frequency in MHz
- W: Stop frequency in MHz
- X: Average power in W
- Y: Connector type
- Z: Direction type

Examples:

To order a QCC1623C series Circulator, 5725~5850MHz, 100W, SMA female, Clockwise, specify QCC1623C-5725-5850-K1-S-1.

Customization is available upon request.