

QCC1317C

High Power, High Isolation

Features:

- * High Power
- * High Isolation
- * Low Insertion Loss
- * Low VSWR

Applications:

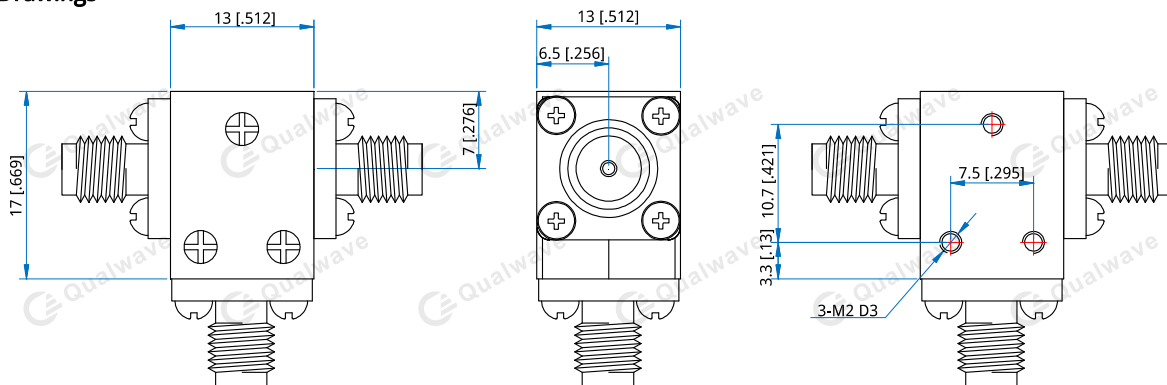
- * Wireless
- * Radar
- * Laboratory Test

Description

QCC1317C series Coaxial Circulators cover frequency range 7~13GHz. High power, high isolation and low insertion loss make it ideal for a lot of applications like amplifiers, transceivers, etc.

Specifications

Frequency (MHz)	Bandwidth (MHz)	IL (dB Max.)	Isolation (dB Min.)	VSWR (Max.)	Average Power (W)	Connector	Temperature (°C)
7000~13000	6000	0.60	16.0	1.40	100	SMA	-55~+85

Outline Drawings


Outline A

Unit: mm [inch]

 Tolerance: $\pm 0.2\text{mm}$ [$\pm 0.008\text{in}$]

Mechanical

Size^{*1}: 13*17*13mm
 0.512*0.669*0.512in
 Mounting: 3-M2, depth 3mm

[1] Exclude connectors

Connector Naming Rules:

S - SMA Female (Outline A)

Direction Naming Rules:

- 1 - Clockwise
- 2 - Anticlockwise

How To Order
QCC1317C-V-W-X-Y-Z

- V: Start frequency in MHz
- W: Stop frequency in MHz
- X: Average power in W
- Y: Connector type
- Z: Direction type

Examples:

To order a QCC1317C series Circulator, 7~13GHz, 100W, SMA female, Clockwise, specify QCC1317C-7000-13000-K1-S-1.

Customization is available upon request.