

QCC-8000-12000-S-D

Broadband & High Power

Features:

- * Broadband
- * High Power
- * Low Insertion Loss

Applications:

- * Wireless
- * Radar
- * Laboratory Test

Electrical

Frequency:	8~12GHz
Insertion Loss (1-2):	1.0dB max.
Isolation (2-1):	36dB min.
VSWR:	1.3 max.
Forward Power:	60W
Reserve Power:	60W

Mechanical

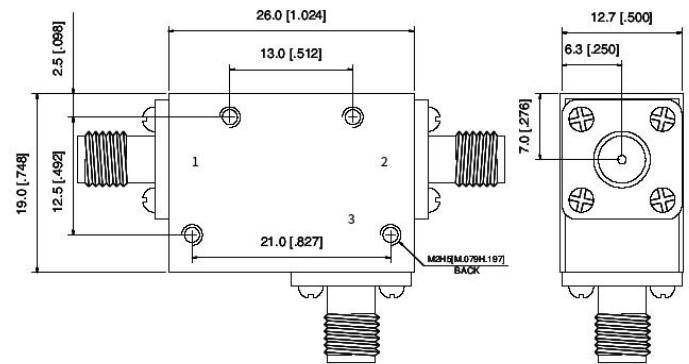
Size*1:	26*19*12.7mm
	1.024*0.748*0.500in

[1] Exclude connectors.

Environmental

Temperature:	-55~+85°C
--------------	-----------

Outline Drawings



Unit: mm [inch]

Tolerance: ± 0.2 mm

How To Order

QCC-8000-12000-S-D - SMA female

Customization is available upon request.