

# QCC-800-2000

## Broadband & High Power

**Features:**

- \* Broadband
- \* High Power
- \* Low Insertion Loss

**Applications:**

- \* Wireless
- \* Radar
- \* Laboratory Test

### Electrical

Frequency:	0.8~2GHz
Insertion Loss:	1.3dB max.
Isolation:	13dB min.
VSWR:	1.6 max.
Forward Power* <sup>1</sup> :	300W
Reserve Power* <sup>1</sup> :	300W

[1] Power for SMA connector is 100W.

### Mechanical

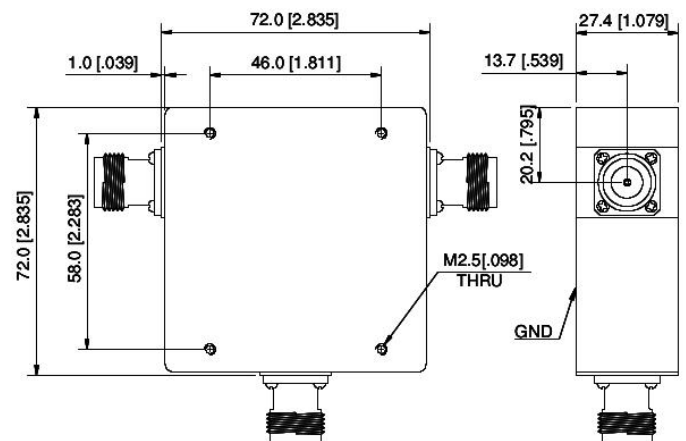
Size* <sup>2</sup> :	72*72*27.4mm
	2.835*2.835*1.079in

[2] Exclude connectors.

### Environmental

Temperature:	+10~+70°C
--------------	-----------

### Outline Drawings



Unit: mm [inch]  
Tolerance: ±0.2mm

### How To Order

**QCC-800-2000-S** - SMA female

**QCC-800-2000-N** - N female

Customization is available upon request.