

## QCC-400-470

### Broadband & High Power

**Features:**

- \* Broadband
- \* High Power
- \* Low Insertion Loss

**Applications:**

- \* Wireless
- \* Radar
- \* Laboratory Test

#### Electrical

Frequency:	400~470MHz
Insertion Loss:	0.5dB max.
Isolation:	20dB min.
VSWR:	1.25 max.
Forward Power* <sup>1</sup> :	300W
Reverse Power* <sup>1</sup> :	300W

[1] Forward or reverse power for SMA connector is 100W.

#### Mechanical

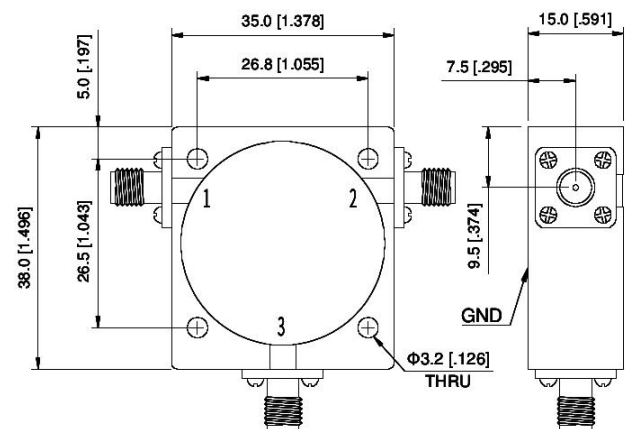
Size* <sup>2</sup> :	35*38*15mm
	1.378*1.496*0.591in

[2] Exclude connectors and terminations.

#### Environmental

Temperature:	-30~+70°C
--------------	-----------

#### Outline Drawings



Unit: mm [inch]

Tolerance: ±0.2mm

#### How To Order

**QCC-400-470-S** - SMA female

**QCC-400-470-N** - N female

Customization is available upon request.