

QCC-380-460

Broadband & High Power

Features:

- * Broadband
- * High Power
- * Low Insertion Loss

Applications:

- * Wireless
- * Radar
- * Laboratory Test

Electrical

Frequency:	380~460MHz
Insertion Loss:	0.5dB max.
Isolation:	18dB min.
VSWR:	1.3 max.
Forward Power* ¹ :	300W
Reverse Power* ¹ :	300W

[1] Forward or reverse power for SMA connector is 100W.

Mechanical

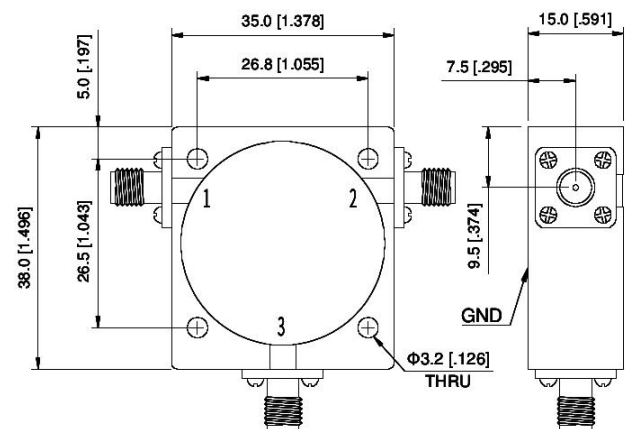
Size* ² :	35*38*15mm
	1.378*1.496*0.591in

[2] Exclude connectors.

Environmental

Temperature:	-30~+70°C
--------------	-----------

Outline Drawings



Unit: mm [inch]

Tolerance: ± 0.2 mm

How To Order

[QCC-380-460-S](#) - SMA female

[QCC-380-460-N](#) - N female

Customization is available upon request.