

QCC-3000-6000-D

Broadband & High Power

Features:
 * Broadband
 * High Power
 * Low Insertion Loss

Applications:
 * Wireless
 * Radar
 * Laboratory Test

Electrical

Frequency:	3~6GHz
Insertion Loss (1-2):	1.0dB max.
Isolation (2-1):	36dB min.
VSWR:	1.3 max.
Forward Power:	100W
Reserve Power:	100W

Mechanical

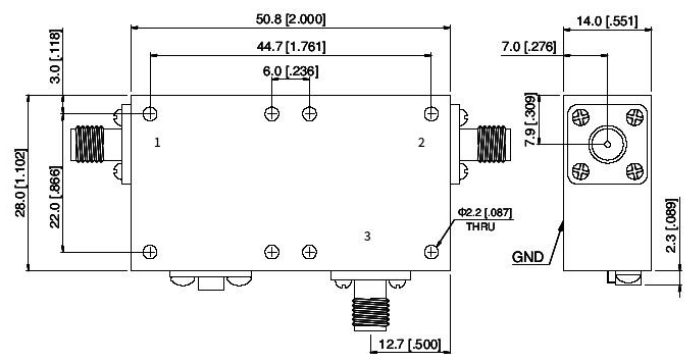
Size*1:	50.8*28*14mm 2.000*1.102*0.551in
---------	-------------------------------------

[1] Exclude connectors and terminations.

Environmental

Temperature:	-55~+85°C
--------------	-----------

Outline Drawings



Unit: mm [inch]
 Tolerance: ±0.2mm

How To Order

[QCC-3000-6000-S-D](#) - SMA female

[QCC-3000-6000-N-D](#) - N female

Customization is available upon request.