

QCC-300-475

Broadband & High Power

Features:

- * Broadband
- * High Power
- * Low Insertion Loss

Applications:

- * Wireless
- * Radar
- * Laboratory Test

Electrical

Frequency:	300~475MHz
Insertion Loss:	1.0dB max.
Isolation:	16dB min.
VSWR:	1.4 max.
Forward Power:	60W
Reverse Power:	60W

Mechanical

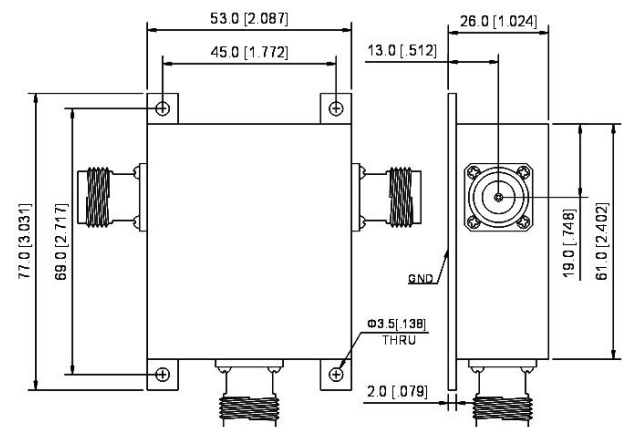
Size*1:	53*77*26mm
	2.087*3.031*1.024in

[1] Exclude connectors.

Environmental

Temperature:	0~+60°C
--------------	---------

Outline Drawings



Unit: mm [inch]

Tolerance: ±0.2mm

How To Order

QCC-300-475-S - SMA female

QCC-300-475-N - N female

Customization is available upon request.