

QCC-24250-33400-5-K-1

24.25~33.4GHz, 5W

Features:

- * Broadband
- * High Power
- * Low Insertion Loss

Applications:

- * Wireless
- * Radar
- * Laboratory Test

Electrical

Frequency:	24.25~33.4GHz
Insertion Loss:	1.6dB max.
Isolation:	14dB min.
VSWR:	1.6 max.
Average Power:	5W

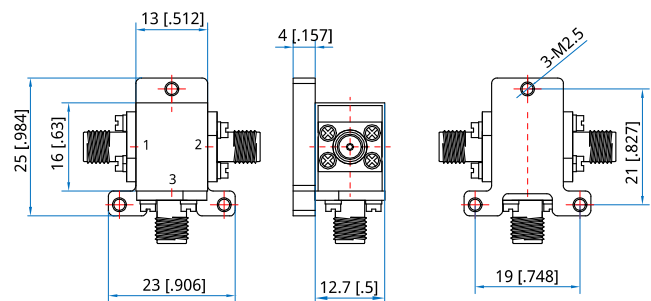
Mechanical

Size ^{*1} :	13*25*16.7mm 0.512*0.984*0.657in
RF Connectors:	2.92mm Female
Mounting:	3-M2.5 through-hole

[1] Exclude connectors.

Environmental

Temperature:	-40~+70°C
--------------	-----------

Outline Drawings


Unit: mm [in]

Tolerance: ± 0.2 mm [± 0.008 in]

How To Order

QCC-24250-33400-5-K-1

Customization is available upon request.