

# QCC-2000-4000-N-O

## Broadband & High Power

**Features:**

- \* Broadband
- \* High Power
- \* Low Insertion Loss

**Applications:**

- \* Wireless
- \* Radar
- \* Laboratory Test

**Electrical**

Frequency:	2~4GHz
Insertion Loss:	0.6dB max.
Isolation:	16dB min.
VSWR:	1.4 max.
Forward Power:	500W
Reserve Power:	500W

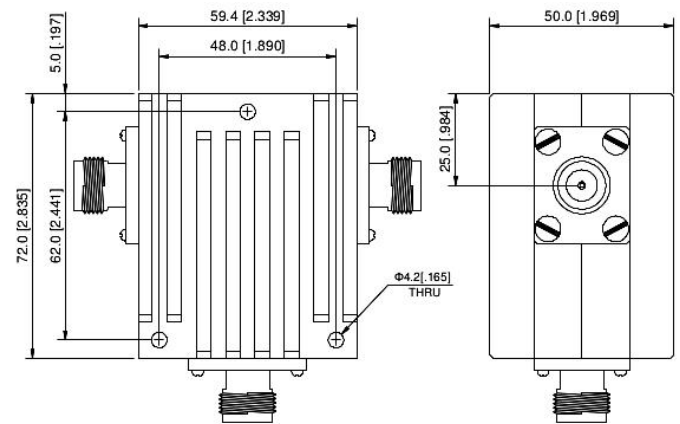
**Mechanical**

Size*1:	59.4*72*50mm
	2.339*2.835*1.969in

[1] Exclude connectors.

**Environmental**

Temperature:	+10~+60°C
--------------	-----------

**Outline Drawings**


Unit: mm [inch]

Tolerance:  $\pm 0.2$ mm

**How To Order**

**QCC-2000-4000-N-O** - N female

Customization is available upon request.