

QCC-1500-3000

Broadband & High Power

Features:

- * Broadband
- * High Power
- * Low Insertion Loss

Applications:

- * Wireless
- * Radar
- * Laboratory Test

Electrical

Frequency:	1.5~3GHz
Insertion Loss:	0.5dB max.
Isolation:	17dB min.
VSWR:	1.35 max.
Forward Power* ¹ :	200W
Reserve Power* ¹ :	200W

[1] Power for SMA connector is 100W.

Mechanical

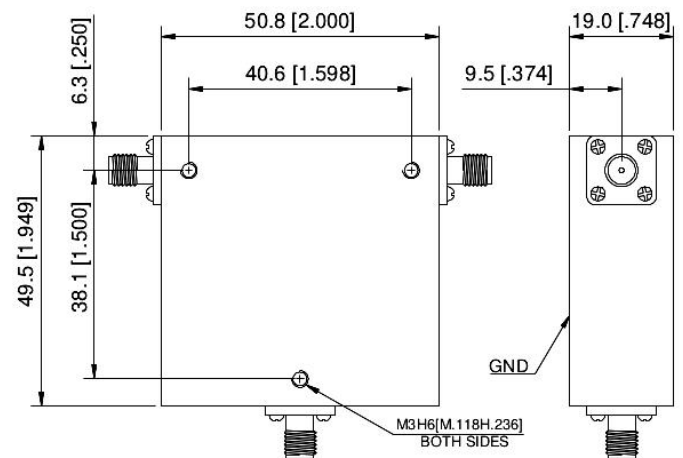
Size* ² :	50.8*49.5*19mm
	2*1.949*0.748in

[2] Exclude connectors.

Environmental

Temperature:	0~+70°C
--------------	---------

Outline Drawings



Unit: mm [inch]

Tolerance: ±0.2mm

How To Order

[QCC-1500-3000-S](#) - SMA female

[QCC-1500-3000-N](#) - N female

Customization is available upon request.