

QCC-130-180

Broadband & High Power

Features:

- * Broadband
- * High Power
- * Low Insertion Loss

Applications:

- * Wireless
- * Radar
- * Laboratory Test

Electrical

Frequency:	130~180MHz
Insertion Loss:	0.8dB max.
Isolation:	18dB min.
VSWR:	1.3 max.
Forward Power:	100W
Reverse Power:	100W

Mechanical

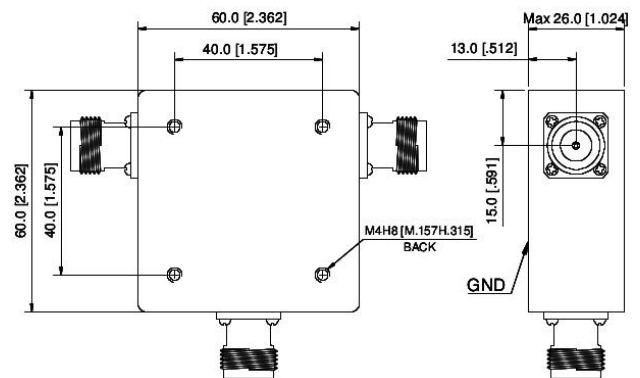
Size*1:	60*60*26mm
	2.362*2.362*1.024in

[1] Exclude connectors.

Environmental

Temperature:	-20~+70°C
--------------	-----------

Outline Drawings



Unit: mm [inch]

Tolerance: ±0.2mm

How To Order

QCC-130-180-S - SMA female

QCC-130-180-N - N female

Customization is available upon request.