

# QASQS-B

## SMA to Quick SMA

Features:  
\* Low VSWR

Applications:  
\* Wireless  
\* Transmitter  
\* Laboratory Test  
\* Radar

### Electrical

Frequency:	DC~18GHz
VSWR:	1.25 max.
Impedance of Dielectric:	5000MΩ min.
Voltage Withstand:	1000V DC
Impedance:	50Ω

### Mechanical

RF Connectors:	SMA Quick SMA
Outer Conductor:	Gold plated brass or Gold plated beryllium copper
Dielectric:	PTFE
Inner Conductor:	Gold plated beryllium copper

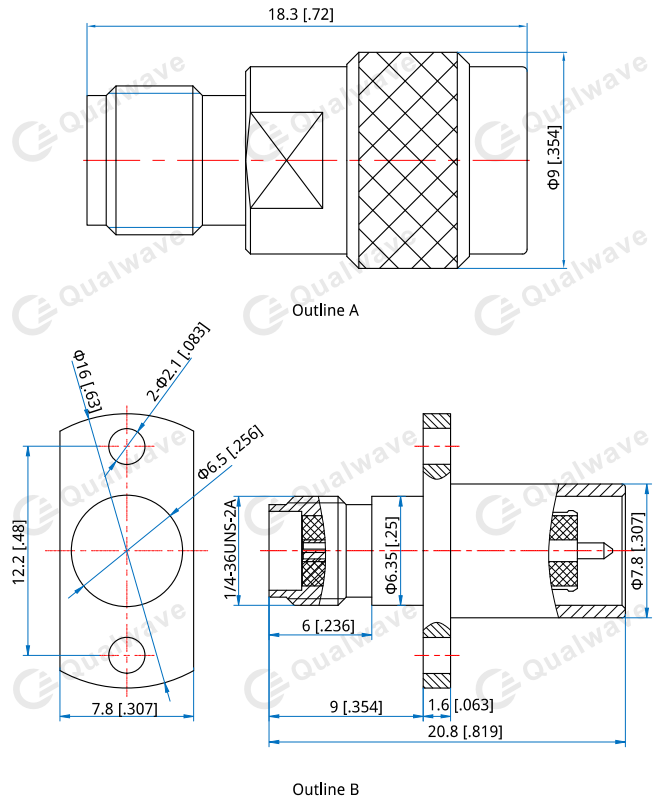
### How To Order

**QASQS-FM-B** - SMA (f) to Quick SMA (m), Outline A

**QASQSL-FM-B** - SMA (f) to Quick SMA (m), flange mount, Outline B

Customization is available upon request.

### Outline Drawings



Unit: mm [in]

Tolerance: ±0.2mm [±0.008in]