

QAS1S1

SHV to SHV

Features:
* Low VSWR

Applications:
* Wireless
* Transmitter
* Laboratory Test
* Radar

Electrical

Frequency:	DC~0.3GHz
Dielectric Withstanding Voltage:	5000V RMS, 50Hz, at sea level, min.
Working Voltage:	3500V RMS, 50Hz, at sea level, max. (Outline C)
Impedance of Dielectric:	5000MΩ min.
Impedance of Contact (Center):	3mΩ max.
Impedance of Contact (Outer):	2mΩ max.(Outline A, D, E) 3mΩ max. 1.5mΩ max.(Outline E) 1mΩ max.(Outline A, D)
Impedance:	50Ω

Mechanical

RF Connectors:	SHV
Mating Life Cycle:	500 cycles min.
ROHS Compliant:	Full ROHS compliance
Outer Conductor:	Nickel plated brass
Dielectric:	PTFE
Inner Conductor:	Gold plated brass

Environmental

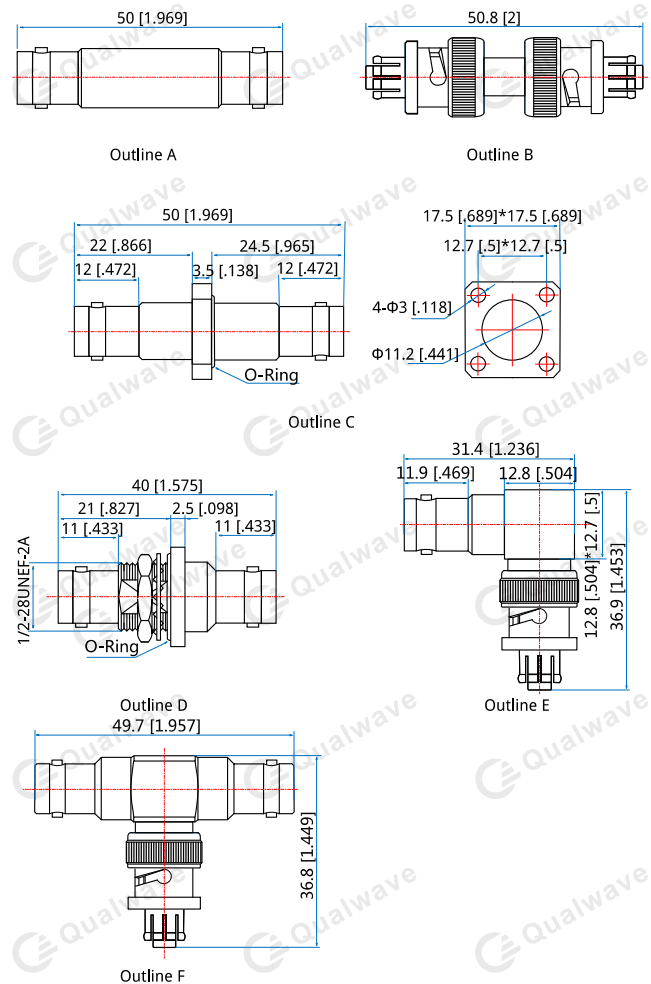
Temperature: -45~+125°C

How To Order

- QAS1S1-MM** - SHV (m) to SHV (m), Outline A
- QAS1S1-FF** - SHV (f) to SHV (f), Outline B
- QAS1S1L-MM** - SHV (m) to SHV (m) flange mount, Outline C
- QAS1S1H-MM** - SHV (m) to SHV(m) bulk head, Outline D
- QAS1S1R-MF** - SHV (m) to SHV (f) right angle, Outline E
- QAS1S1S1-MFM** - SHV (m) to SHV (f) to SHV (m), Outline F

Customization is available upon request.

Outline Drawings



Unit: mm [in]
Tolerance: ±0.2mm [±0.008in]