

QAMKV

NMD 2.92mm to 1.85mm

Features:
* Low VSWR

Applications:
* Wireless
* Transmitter
* Laboratory Test
* Radar

Electrical

Frequency: DC~40GHz
VSWR: 1.2 max.
Impedance: 50Ω

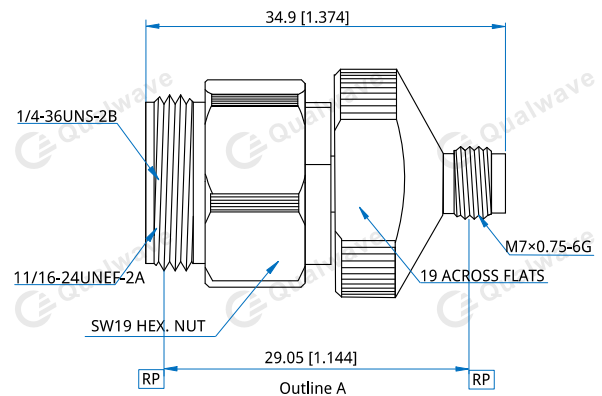
Mechanical

RF Connectors: NMD 2.92mm
1.85mm
Mating Life Cycle: 2000 cycles min.
Outer Conductor: Passivated SUS303 stainless steel
Dielectric: PEI
Inner Conductor: Gold plated beryllium copper

Environmental

Temperature: -55~+165°C

Outline Drawings



Unit: mm [in]

Tolerance: ±0.2mm [±0.008in]

How To Order

QAMKV-MF - NMD 2.92mm (m) to 1.85mm (f), Outline A

Customization is available upon request.