

QAMKK

NMD 2.92mm to 2.92mm

Features:
* Low VSWR

Applications:
* Wireless
* Transmitter
* Laboratory Test
* Radar

Electrical

Frequency: DC~40GHz
VSWR: 1.2 max.
Impedance: 50Ω

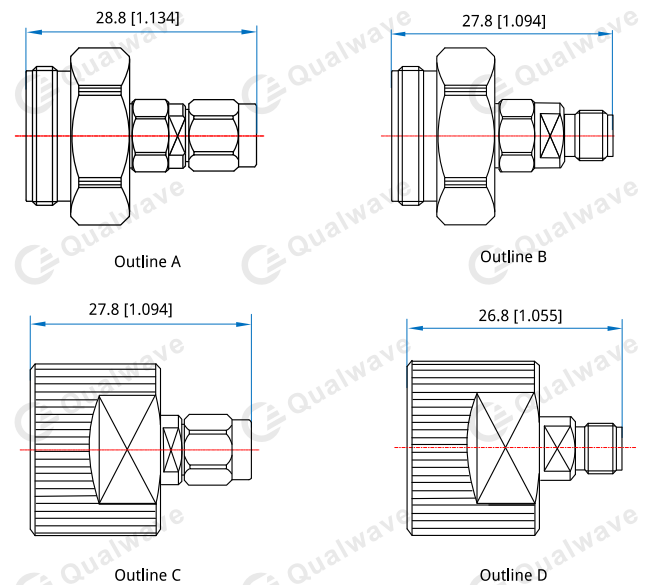
Mechanical

RF Connectors: NMD 2.92mm
2.92mm
Mating Life Cycle: 500 cycles
Outer Conductor: Passivated stainless steel
Dielectric: PEI
Inner Conductor: Gold plated beryllium copper

Environmental

Temperature: -55~+165°C

Outline Drawings



Unit: mm [in]

Tolerance: ±0.2mm [±0.008in]

How To Order

QAMKK-MM - NMD 2.92mm(m) to 2.92mm(m), Outline A

QAMKK-MF - NMD 2.92mm(m) to 2.92mm(f), Outline B

QAMKK-FM - NMD 2.92mm(f) to 2.92mm(m), Outline C

QAMKK-FF - NMD 2.92mm(f) to 2.92mm(f), Outline D

Customization is available upon request.