

QAMKJ

NMD 2.92mm to 7mm

Features:
* Low VSWR

Applications:
* Wireless
* Transmitter
* Laboratory Test
* Radar

Electrical

Frequency: DC~18GHz
VSWR: 1.15 max.
Impedance: 50Ω

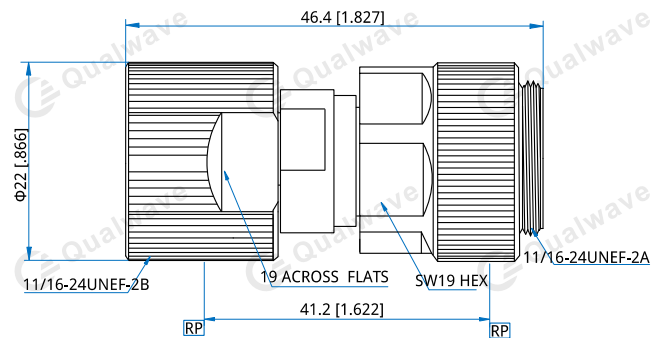
Mechanical

RF Connectors: NMD 2.92mm
7mm
Mating Life Cycle: 2000 cycles min.
Outer Conductor: Passivated SUS303 stainless steel
Dielectric: PEI
Inner Conductor: Gold plated beryllium copper

Environmental

Temperature: -55~+165°C

Outline Drawings



Outline A

Unit: mm [in]

Tolerance: ± 0.2 mm [± 0.008 in]

How To Order

QAMKJ-F - NMD 2.92mm (f) to 7mm, Outline A

Customization is available upon request.