

# QAM3J

## NMD 3.5mm to 7mm

Features:  
\* Low VSWR

Applications:  
\* Wireless  
\* Transmitter  
\* Laboratory Test  
\* Radar

### Electrical

Frequency: DC~18GHz  
VSWR: 1.15 max.  
Impedance: 50Ω

### Mechanical

RF Connectors: NMD 3.5mm  
7mm  
Mating Life Cycle: 2000 cycles min.  
Outer Conductor: Passivated SUS303 stainless steel  
Dielectric: PEI  
Inner Conductor: Gold plated beryllium copper

### Environmental

Temperature: -55~+165°C

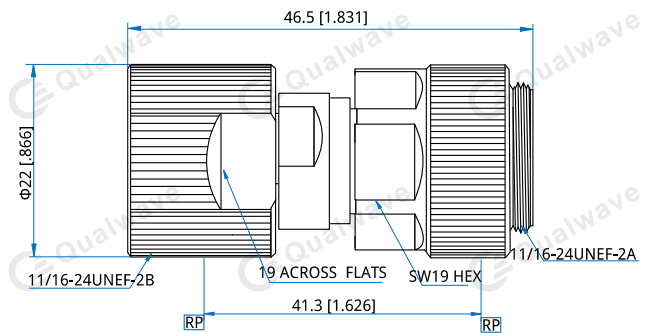
### How To Order

**QAM3J-F** - NMD 3.5mm (f) to 7mm, Outline A

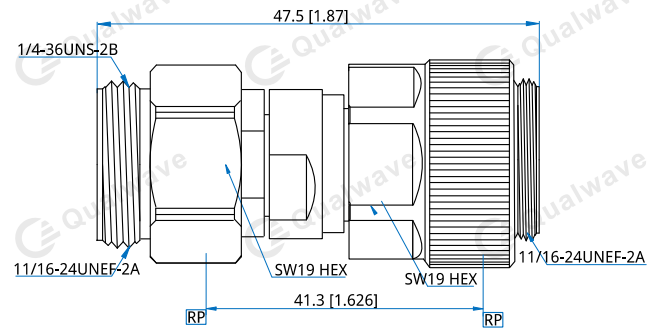
**QAM3J-M** - NMD 3.5mm (m) to 7mm, Outline B

Customization is available upon request.

### Outline Drawings



Outline A



Outline B

Unit: mm [in]

Tolerance: ±0.2mm [±0.008in]