

# QAM33

## NMD 3.5mm to 3.5mm

Features:  
\* Low VSWR

Applications:  
\* Wireless  
\* Transmitter  
\* Laboratory Test  
\* Radar

### Electrical

Frequency:	DC~33GHz DC~26.5GHz (Outline D)
VSWR:	1.2 max. 1.15 max. (Outline D)
Impedance:	50Ω

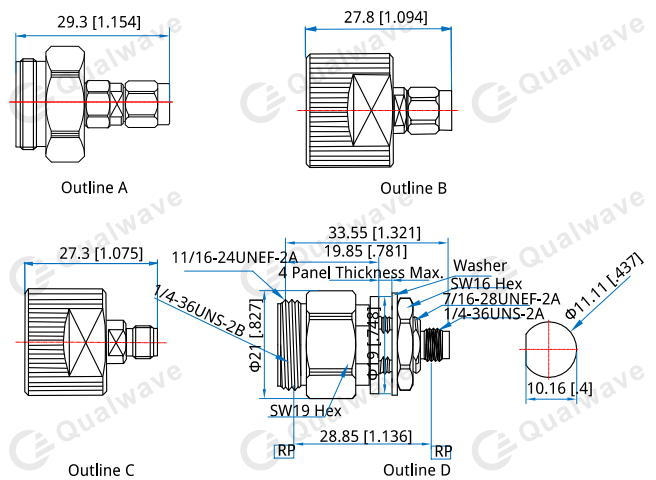
### Mechanical

RF Connectors:	NMD 3.5mm 3.5mm
Mating Life Cycle:	500 cycles 3000 cycles min. (Outline D)
Outer Conductor:	Passivated stainless steel Gold plated beryllium copper & Gold plated brass (Outline D)
Dielectric:	PEI
Inner Conductor:	Gold plated beryllium copper

### Environmental

Temperature:	-55~+165°C
--------------	------------

### Outline Drawings



Unit: mm [in]

Tolerance: ±0.2mm [±0.008in]

### How To Order

**QAM33-MM** - NMD 3.5mm(m) to 3.5mm(m), Outline A

**QAM33-FM** - NMD 3.5mm(f) to 3.5mm(m), Outline B

**QAM33-FF** - NMD 3.5mm(f) to 3.5mm(f), Outline C

**QAM33H-MF** - NMD 3.5mm(m) to 3.5mm(f), bulk head, Outline D

Customization is available upon request.