

QAM22

NMD 2.4mm to 2.4mm

Features:
* Low VSWR

Applications:
* Wireless
* Transmitter
* Laboratory Test
* Radar

Electrical

Frequency: DC~50GHz
VSWR: 1.25 max.
Impedance: 50Ω

Mechanical

RF Connectors: NMD 2.4mm
2.4mm
Mating Life Cycle: 500 cycles
3000 cycles min. (Outline E)
Outer Conductor: Passivated stainless steel
Gold plated beryllium copper &
Gold plated brass (Outline E)
Dielectric: PEI
CPS(Outline E)
Inner Conductor: Gold plated beryllium copper

Environmental

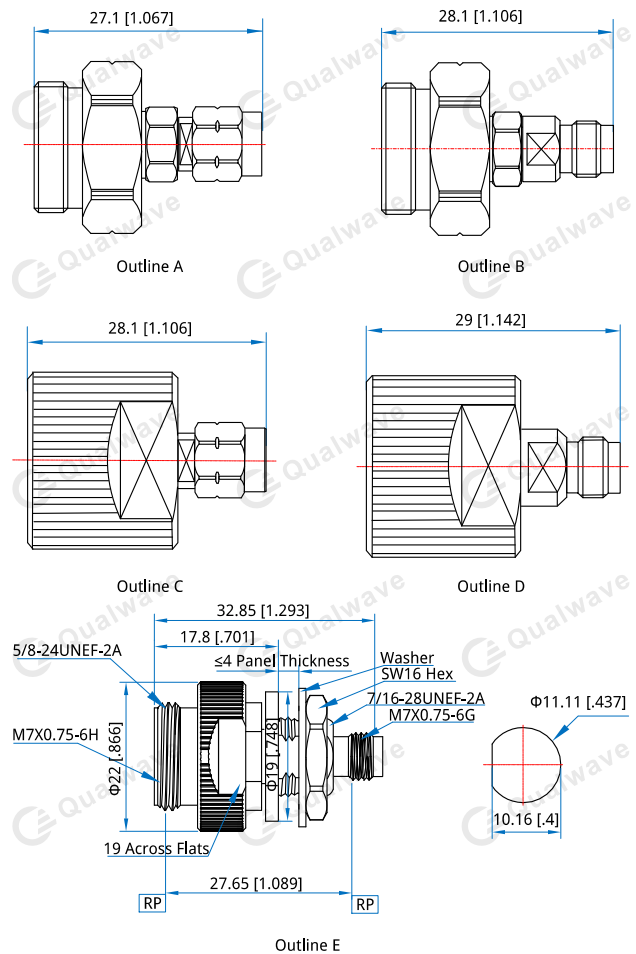
Temperature: -55~+165°C
-55~+85°C (Outline E)

How To Order

- QAM22-MM** - NMD 2.4mm(m) to 2.4mm(m), Outline A
- QAM22-MF** - NMD 2.4mm(m) to 2.4mm(f), Outline B
- QAM22-FM** - NMD 2.4mm(f) to 2.4mm(m), Outline C
- QAM22-FF** - NMD 2.4mm(f) to 2.4mm(f), Outline D
- QAM22H-MF** - NMD 2.4mm(m) to 2.4mm(f), bulk head, Outline E

Customization is available upon request.

Outline Drawings



Unit: mm [in]
Tolerance: ±0.2mm [±0.008in]