

QALCN

LC to N

Features:
* Low VSWR

Applications:
* Wireless
* Transmitter
* Laboratory Test
* Radar

Electrical

Frequency:	DC~4GHz
VSWR:	1.2 max.
Dielectric Withstanding Voltage:	3500V RMS, 50Hz, at sea level
Impedance of Dielectric:	5000MΩ min.
Impedance of Contact (Center):	1mΩ max.
Impedance of Contact (Outer):	0.25mΩ max.
Impedance:	50Ω

Mechanical

RF Connectors:	LC N
Mating Life Cycle:	500 cycles min.
ROHS Compliant:	Full ROHS compliance
Outer Conductor:	Nickel plated brass
Dielectric:	PTFE
Inner Conductor:	Silver plated brass
Connection sleeve:	Nickel plated brass

Environmental

Temperature: -45~+125°C

How To Order

QALCN-MF - LC (m) to N (f), Outline A

QALCN-FM - LC (f) to N (m), Outline B

QALCN-FF - LC (f) to N (f), Outline C

Customization is available upon request.

Outline Drawings

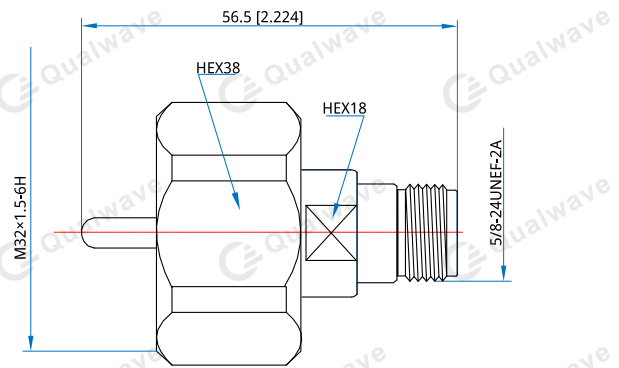


图1

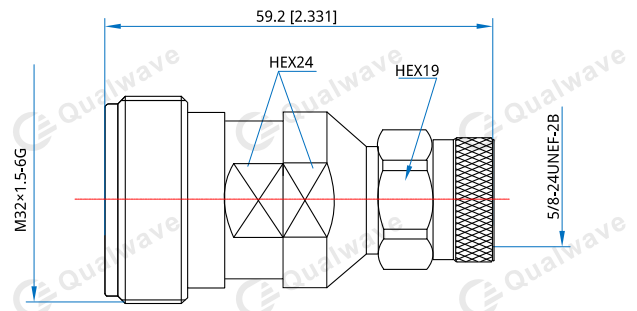


图2

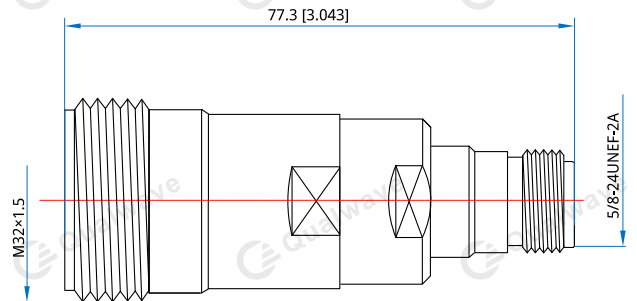


图3

Unit: mm [in]

Tolerance: ±0.2mm [±0.008in]