

QALCLC

LC to LC

Features:
* Low VSWR

Applications:
* Wireless
* Transmitter
* Laboratory Test
* Radar

Electrical

Frequency:	DC~4GHz
VSWR:	1.2 max.
Dielectric Withstanding Voltage:	3500V RMS, 50Hz, at sea level
Impedance of Dielectric:	5000MΩ min.
Impedance:	50Ω

Mechanical

RF Connectors:	LC
Mating Life Cycle:	500 cycles min.
ROHS Compliant:	Full ROHS compliance
Outer Conductor:	Nickel plated brass
Dielectric:	PTFE
Inner Conductor:	Silver plated brass
Connection Sleeve:	Nickel plated brass

Environmental

Temperature:	-45~+125°C
--------------	------------

How To Order

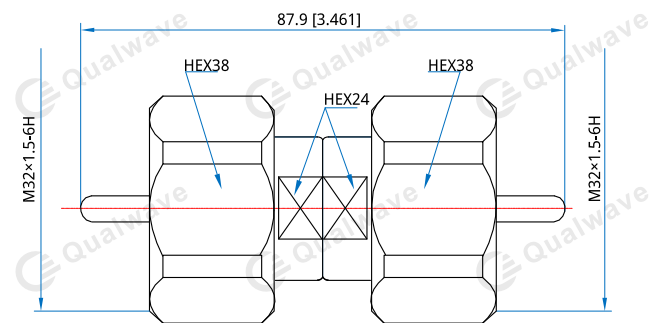
QALCLC-MM - LC (m) to LC (m), Outline A

QALCLC-MF - LC (m) to LC (f), Outline B

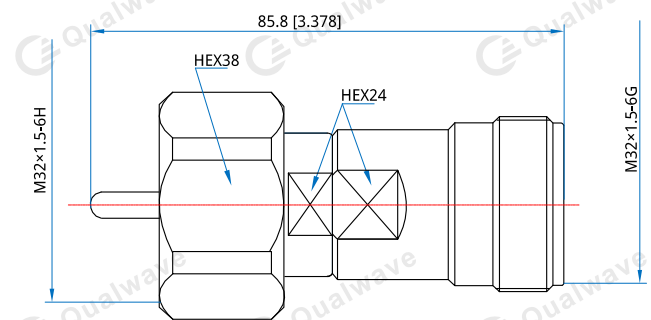
QALCLC-FF - LC (f) to LC (f), Outline C

Customization is available upon request.

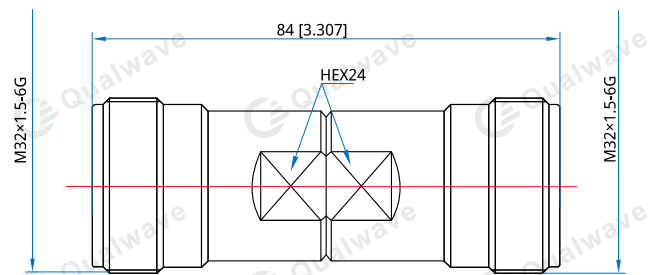
Outline Drawings



Outline A



Outline B



Outline C

Unit: mm [in]

Tolerance: ±0.2mm [±0.008in]