

# QALC7

## LC to 7/16 DIN (L29)

Features:  
\* Low VSWR

Applications:  
\* Wireless  
\* Transmitter  
\* Laboratory Test  
\* Radar

### Electrical

Frequency:	DC~4GHz
VSWR:	1.2 max.
Dielectric Withstanding Voltage:	3500V RMS, 50Hz, at sea level
Impedance of Dielectric:	5000MΩ min.
Impedance of Contact (Center):	0.4mΩ max.
Impedance of Contact (Outer):	1mΩ max. (Outline C)
Impedance:	1mΩ max.
	0.5mΩ max. (Outline C)
Impedance:	50Ω

### Mechanical

RF Connectors:	LC
	7/16 DIN (L29)
Mating Life Cycle:	500 cycles min.
ROHS Compliant:	Full ROHS compliance
Outer Conductor:	Nickel plated brass
Dielectric:	PTFE
Inner Conductor:	Silver plated brass
Connection sleeve:	Nickel plated brass

### Environmental

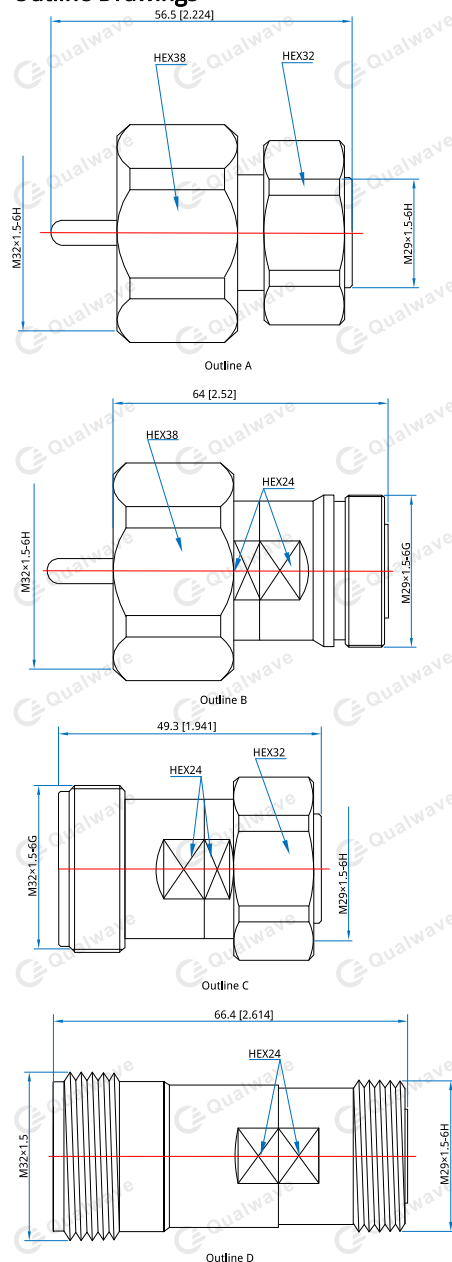
Temperature: -45~+125°C

### How To Order

- QALC7-MM** - LC (m) to 7/16 DIN (m), Outline A
- QALC7-MF** - LC (m) to 7/16 DIN (f), Outline B
- QALC7-FM** - LC (f) to 7/16 DIN (m), Outline C
- QALC7-FF** - LC (f) to 7/16 DIN (f), Outline D

Customization is available upon request.

### Outline Drawings



Unit: mm [in]  
Tolerance: ±0.2mm [±0.008in]