

QAKP

2.92mm to SMP

Features:
* Low VSWR

Applications:
* Wireless
* Transmitter
* Laboratory Test
* Radar

Electrical

Frequency: DC~40GHz
VSWR: 1.25 max.
Impedance: 50Ω

Mechanical

RF Connectors: 2.92mm
SMP
Mating Life Cycle: 500 cycles
Outer Conductor: Passivated stainless Steel or
Gold Plated Beryllium Copper
Dielectric: PEI or PTFE
Inner Conductor: Gold Plated Beryllium Copper

Environmental

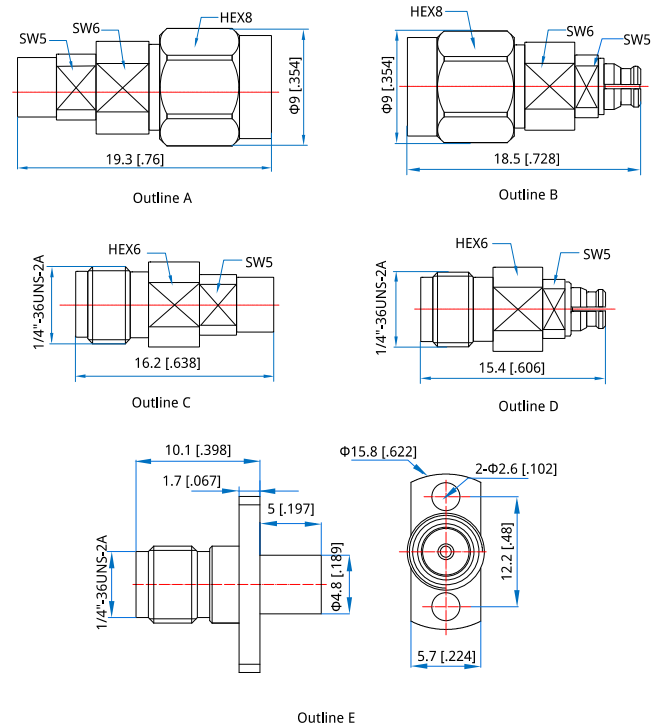
Temperature: -55~+165°C

How To Order

- QAKP-MM** - 2.92mm (m) to SMP (m), Outline A
- QAKP-MF** - 2.92mm (m) to SMP (f), Outline B
- QAKP-FM** - 2.92mm (f) to SMP (m), Outline C
- QAKP-FF** - 2.92mm (f) to SMP (f), Outline D
- QAKPL-FM** - 2.92mm (f) to SMP (m), Flange mount, Outline E

Customization is available upon request.

Outline Drawings



Unit: mm [in]
Tolerance: ± 0.2 mm [± 0.008 in]