

## QADD SMB to SMB

Features:  
\* Low VSWR

Applications:  
\* Wireless  
\* Transmitter  
\* Laboratory Test  
\* Radar



### Specifications

Model	Frequency	VSWR	Voltage Withstand	Impedance of Dielectric	Impedance	Outer Conductor	Dielectric	Inner Conductor	Outline Drawings
	(GHz)	(max.)	(V)	(mΩ min.)	(Ω)				
QADD-MM	DC~4	1.15	-	-	50	Gold Plated Brass	PTFE	Gold plated beryllium copper	Outline A
QADD-FF	DC~3	1.2	750	1000	50	Gold Plated Brass	PTFE	Gold plated beryllium copper	Outline B
QADD-MF	DC~4	1.15	-	-	50	Gold Plated Brass	PTFE	Gold plated beryllium copper	Outline C
QADDL-MF	DC~6	1.2	-	-	50	Passivated Stainless Steel	PTFE	Gold plated beryllium copper	Outline D
QADDD-MFM	DC~4	-	750	1000	50	Gold Plated Brass	PTFE	Gold Plated Brass	Outline E

### Mechanical

RF Connectors: SMB  
Mating Life Cycle: 500 cycles

### Environmental

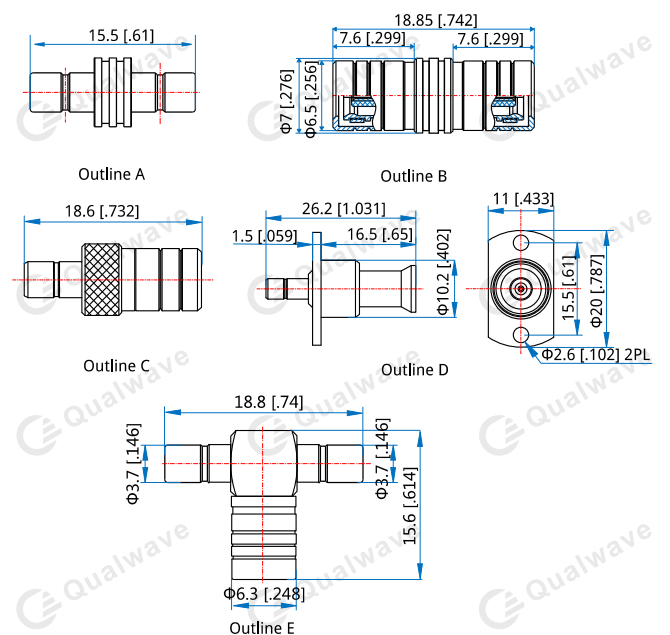
Temperature: -55~+165°C  
-40~+125°C (Outline B, E)

### How To Order

- QADD-MM** - SMB (m) to SMB (m), Outline A
- QADD-FF** - SMB (f) to SMB (f), Outline B
- QADD-MF** - SMB (m) to SMB (f), Outline C
- QADDL-MF** - SMB (m) to SMB (f), Flange mount, Outline D
- QADDD-MFM** - SMB (m) to SMB (f) to SMB (m), Outline E

Customization is available upon request.

### Outline Drawings



Unit: mm [in]  
Tolerance:  $\pm 0.2\text{mm}$  [ $\pm 0.008\text{in}$ ]