

# QAA67

## 3-1/8" (IF110) to 7/16 DIN (L29)

Features:  
\* Low VSWR

Applications:  
\* Wireless  
\* Transmitter  
\* Laboratory Test  
\* Radar

### Electrical

Frequency:	DC~3GHz
VSWR:	1.07@DC~1000MHz max.
Dielectric Withstanding Voltage:	6000V RMS, 50Hz, at sea level, min.
Impedance of Dielectric:	5000MΩ min.
Impedance of Contact (Center):	1.5mΩ max.
Impedance of Contact (Outer):	1.5mΩ max.
Average Power:	23KW@900MHz
Peak Power:	120KW max.
Impedance:	50Ω

### Mechanical

RF Connectors:	3-1/8" (IF110) 7/16 DIN (L29)
Mating Life Cycle:	100 cycles min.
ROHS Compliant:	Full ROHS compliance
Outer Conductor:	Nickel plated brass
Dielectric:	PTFE
Inner Conductor:	Silver plated brass

### Environmental

Temperature: -55~+85°C

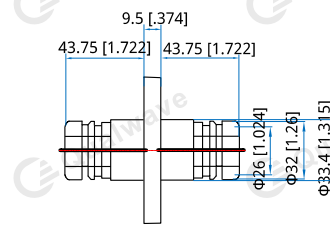
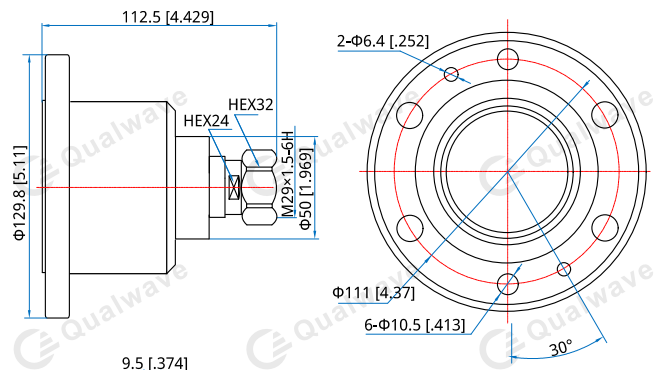
### How To Order

**QAA67-M** - 3-1/8" to 7/16 DIN (m), Outline A

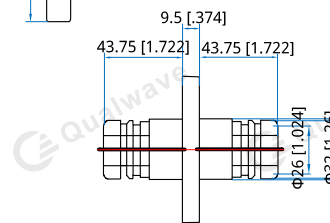
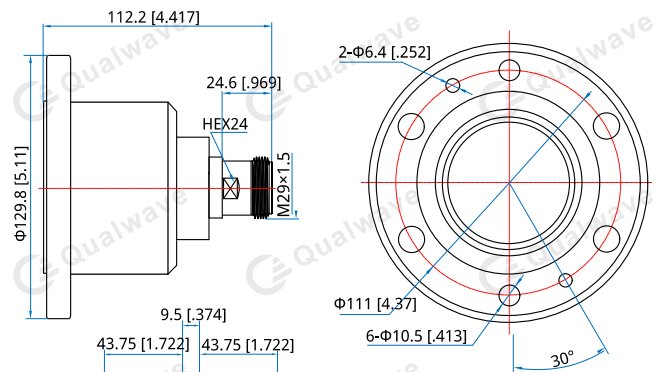
**QAA67-F** - 3-1/8" to 7/16 DIN (f), Outline B

Customization is available upon request.

### Outline Drawings



Outline A



Outline B

Unit: mm [in]

Tolerance: ±0.2mm [±0.008in]