

# QA7L

## 7/16 DIN (L29) to L27

Features:  
\* Low VSWR

Applications:  
\* Wireless  
\* Radar  
\* Instruments  
\* Electronics

### Electrical

Frequency:	DC~6GHz
Impedance of Dielectric:	5000MΩ min. (Outline B) 10000MΩ min.
Impedance of Contact (Center):	0.4mΩ max. (7/16 DIN (L29)) 5mΩ max. (L27)
Impedance of Contact (Outer):	0.2mΩ max. (7/16 DIN (L29)) 5mΩ max. (L27)
Impedance:	50Ω

### Mechanical

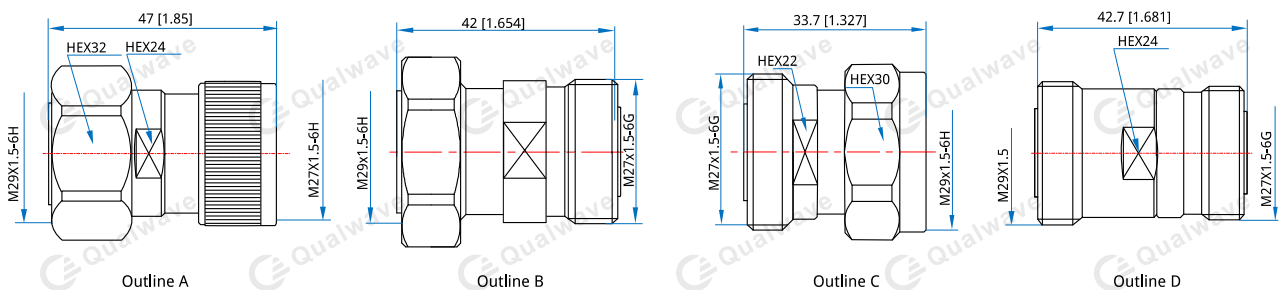
RF Connector:	7/16 DIN (L29) L27
Mating Life Cycle:	500 cycles min.

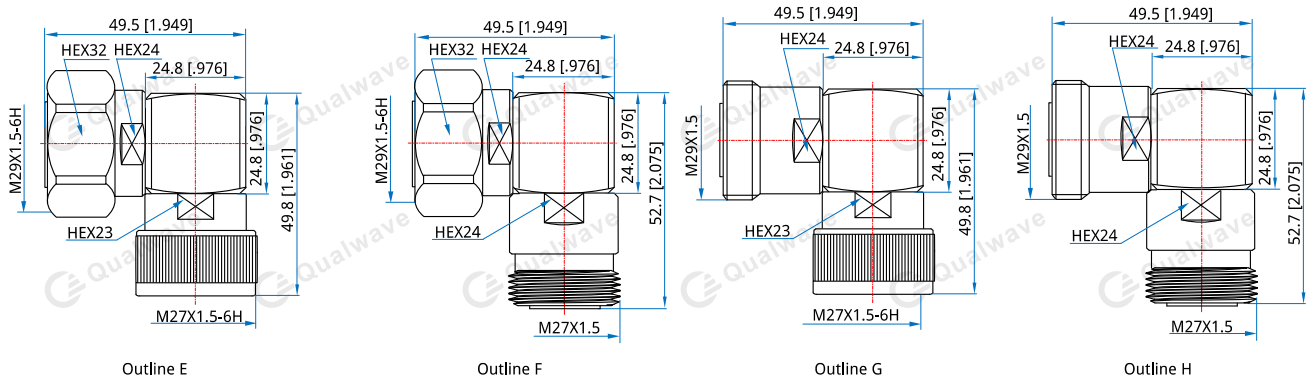
### Environmental

Temperature:	-55~+165°C (Outline B) -45~+125°C
--------------	--------------------------------------

Model	Frequency (GHz)	VSWR (max.)	Dielectric Withstanding Voltage (V min.)	Outer Conductor	Dielectric	Inner Conductor
QA7L-MM	DC~6	1.3	3000	Nickel plated brass	PTFE	Silver plated brass
QA7L-MF	DC~6	1.2	1000	Ternary alloy plated brass	PTFE	Silver plated beryllium copper
QA7L-FM	DC~6	1.2	3000	Nickel plated brass	PTFE	Silver plated brass
QA7L-FF	DC~6	1.3	3000	Nickel plated brass	PTFE	Silver plated brass
QA7LR-MM	DC~3	1.25	3000	Nickel plated brass	PTFE	Silver plated brass
QA7LR-MF	DC~3	1.25	3000	Nickel plated brass	PTFE	Silver plated brass
QA7LR-FM	DC~3	1.25	3000	Nickel plated brass	PTFE	Silver plated brass
QA7LR-FF	DC~3	1.25	3000	Nickel plated brass	PTFE	Silver plated brass

### Outline Drawings





Unit: mm [in]

Tolerance:  $\pm 0.2\text{mm}$  [ $\pm 0.008\text{in}$ ]

## How To Order

**QA7L-MM** - 7/16 DIN (L29) (m) to L27 (m), Outline A

**QA7L-MF** - 7/16 DIN (L29) (m) to L27 (f), Outline B

**QA7L-FM** - 7/16 DIN (L29) (f) to L27 (m), Outline C

**QA7L-FF** - 7/16 DIN (L29) (f) to L27 (f), Outline D

**QA7LR-MM** - 7/16 DIN (L29) (m) to L27 (m) right angle, Outline E

**QA7LR-MF** - 7/16 DIN (L29) (m) to L27 (f) right angle, Outline F

**QA7LR-FM** - 7/16 DIN (L29) (f) to L27 (m) right angle, Outline G

**QA7LR-FF** - 7/16 DIN (L29) (f) to L27 (f) right angle, Outline H

Customization is available upon request.