

QA3NEX

3.5mm to NEX10

Features:
* Low VSWR

Applications:
* Wireless
* Transmitter
* Laboratory Test
* Radar

Electrical

Frequency:	DC~6GHz
VSWR:	1.25 max.
PIM:	-155dBc max.
Dielectric Withstanding Voltage:	750V
Impedance of Dielectric:	5000MΩ min.
Impedance:	50Ω

Mechanical

RF Connectors:	3.5mm NEX10
Mating Life Cycle:	500 cycles
Inner Conductor:	Silver plated beryllium copper
Dielectric:	PTFE
Outer Conductor:	Ternary alloy plated brass

Environmental

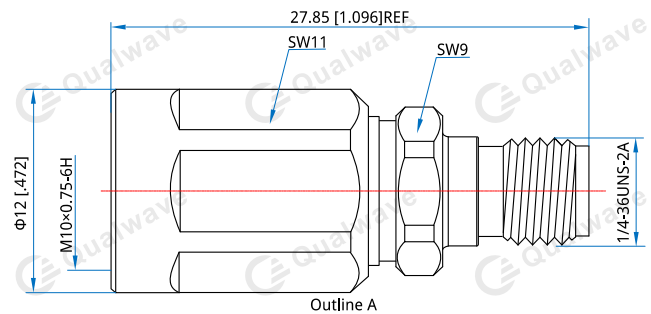
Temperature:	-40~+155°C
--------------	------------

How To Order

QA3NEX-FM - 3.5mm(f) to NEX10(m), Outline A

Customization is available upon request.

Outline Drawings



Unit: mm [in]

Tolerance: ± 0.2 mm [± 0.008 in]