

# QCX-MRCB-RG178-1

## MMCX Male Right Angle, Crimp

Features:  
\* Low VSWR

Applications:  
\* Wireless  
\* Radar  
\* Instruments  
\* Electronics

### Electrical

Frequency:	DC~3GHz
VSWR:	1.3 max.
Impedance of Dielectric:	5000MΩ min.
Voltage Withstand:	500V DC

### Mechanical

RF Connector:	MMCX male right angle
Mating Cable:	RG178
Inner Conductor:	Gold plated brass
Dielectric:	PTFE
Body:	Gold plated brass

### Environmental

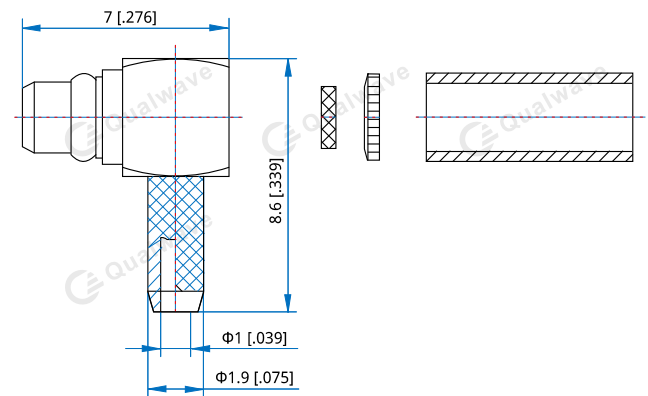
Temperature:	-55~+125
--------------	----------

### How To Order

**QCX-MRCB-RG178-1**

Customization is available upon request.

### Outline Drawings



Unit: mm [in]

Tolerance:  $\pm 0.2$ mm [ $\pm 0.008$ in]