

QCW-MRCB-316-1

SSMC Male Right angle, Crimp

Features:
* Low VSWR

Applications:
* Wireless
* Radar
* Instruments
* Electronics

Electrical

Frequency:	DC~6GHz
Impedance of Dielectric:	5000MΩ min.
Voltage Withstand:	750V DC
Impedance:	50Ω

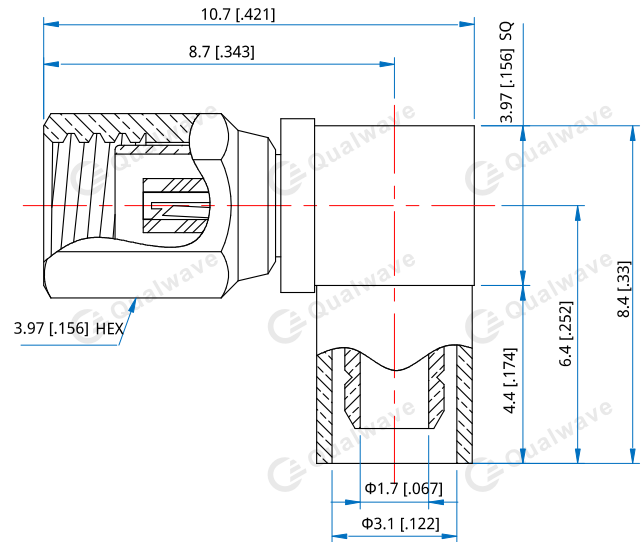
Mechanical

RF Connector:	SSMC male
Mating Cable:	RG316
Body:	Gold Plated Brass
Dielectric:	PTFE
Inner Conductor:	Gold Plated Beryllium Copper

Environmental

Temperature:	-55~+165°C
--------------	------------

Outline Drawings



Unit: mm [in]

Tolerance: ± 0.2 mm [± 0.008 in]

How To Order

QCW-MRCB-316-1

Customization is available upon request.