

QCW-MRB-086-1

SSMC Male Right angle

Features:
* Low VSWR

Applications:
* Wireless
* Radar
* Instruments
* Electronics

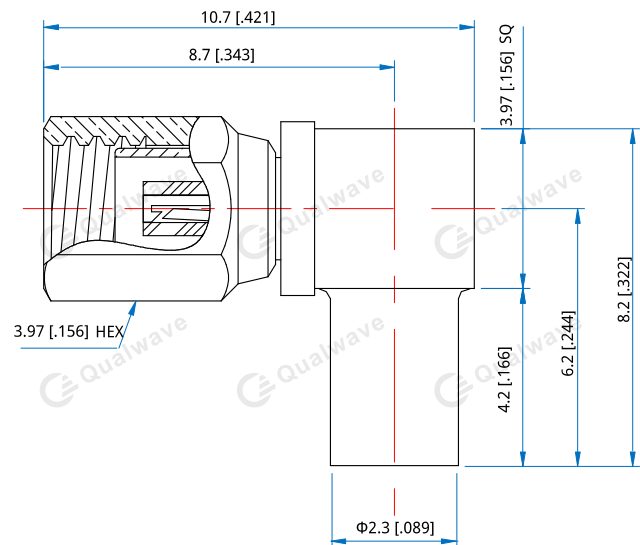
Electrical

Frequency:	DC-6GHz
Impedance of Dielectric:	5000MΩ min.
Voltage Withstand:	750V DC
Impedance:	50Ω

Mechanical

RF Connector:	SSMC male
Mating Cable:	086
Body:	Gold Plated Brass
Dielectric:	PTFE
Inner Conductor:	Gold Plated Beryllium Copper

Outline Drawings



Unit: mm [in]

Tolerance: ±0.2mm [±0.008in]

How To Order

QCW-MRB-086-1

Customization is available upon request.