

## QCT-MG-A360-2

### TNC Male

Features:  
\* Low VSWR

Applications:  
\* Wireless  
\* Radar  
\* Instruments  
\* Electronics

#### Electrical

Frequency:	DC~18GHz
VSWR:	1.25 max.
Impedance of Dielectric:	5000MΩ min.
Voltage Withstand:	1000V DC min.
Impedance:	50Ω

#### Mechanical

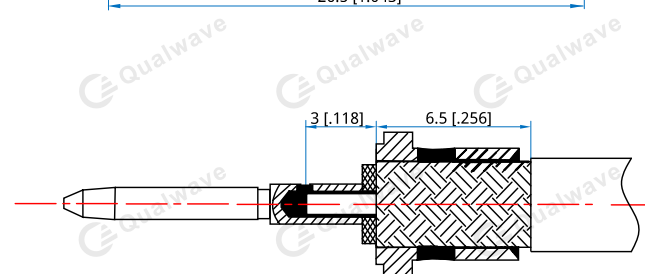
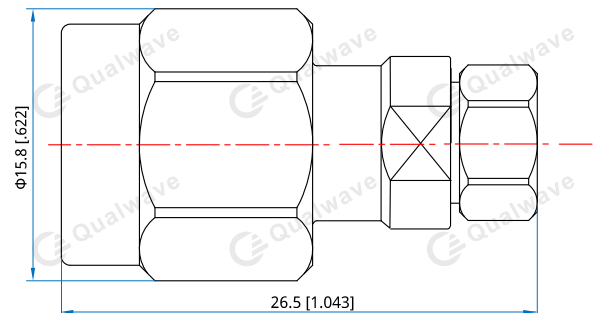
RF Connector:	TNC Male
Mating Cable:	QA360
Outer Conductor:	303F stainless steel

#### How To Order

**QCT-MG-A360-2**

Customization is available upon request.

#### Outline Drawings



Unit: mm [in]

Tolerance:  $\pm 0.2$ mm [ $\pm 0.008$ in]