

QCT-MB-086-1

TNC Male

Features:
* Low VSWR

Applications:
* Wireless
* Radar
* Instruments
* Electronics

Electrical

Frequency:	DC~18GHz
VSWR:	1.25 max.
Impedance of Dielectric:	5000MΩ min.
Voltage Withstand:	1000Vrms min.
Impedance:	50Ω

Mechanical

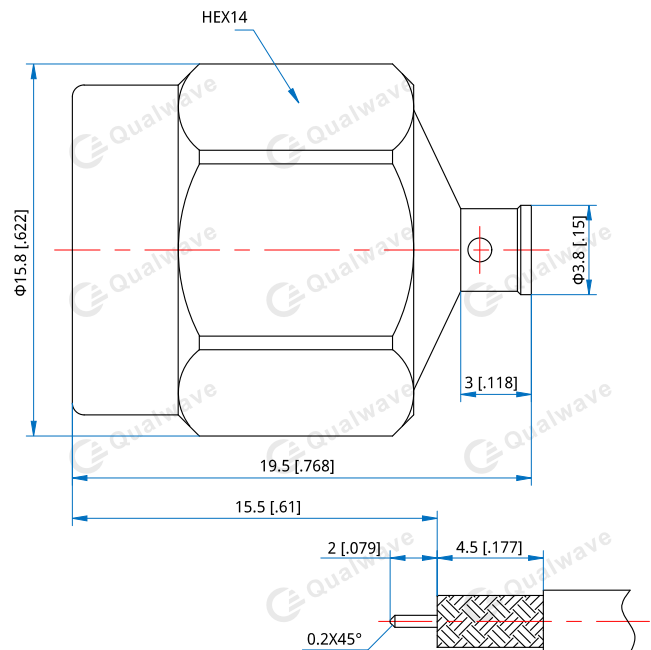
RF Connector:	TNC Male
Mating Cable:	QH280, QE086, QD086, RG316
Outer Conductor:	Ternary alloy plated brass
Dielectric:	PTFE
Inner Conductor:	Gold plated beryllium copper

How To Order

QCT-MB-086-1

Customization is available upon request.

Outline Drawings



Unit: mm [in]

Tolerance: ±0.5mm [±0.02in]