

QCT-FL4CB-RG316-1

TNC Female

Features:
* Low VSWR

Applications:
* Wireless
* Radar
* Instruments
* Electronics

Electrical

Frequency:	DC~6GHz
VSWR:	1.35 max.
Impedance of Dielectric:	5000MΩ min.
Voltage Withstand:	500V DC
Impedance:	50Ω

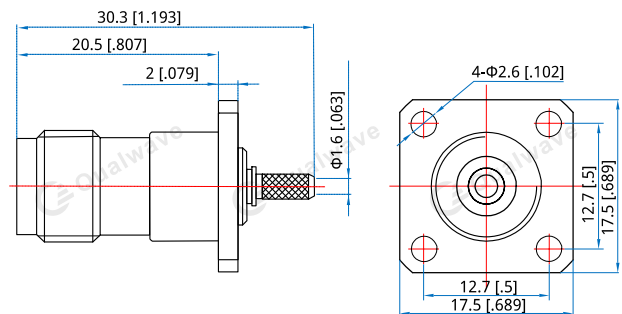
Mechanical

RF Connector:	TNC female
Mating Cable:	RG316
Outer Conductor:	Ternary alloy plated brass
Dielectric:	PTFE
Inner Conductor:	Gold plated tin phosphorus copper

Environmental

Operating Temperature:	-55~+125°C
------------------------	------------

Outline Drawings



Unit: mm [in]
Tolerance: ±0.2mm [±0.008in]

How To Order

QCT-FL4CB-RG316-1

Customization is available upon request.