

QCS-MRG-T50P-1

SMA Male Right Angle

Features:
* Low VSWR

Applications:
* Wireless
* Radar
* Instruments
* Electronics

Electrical

Frequency:	DC~26.5GHz
VSWR:	1.25 max.
Impedance of Dielectric:	5000MΩ min.
Voltage Withstand:	1000Vrms min.
Impedance:	50Ω

Mechanical

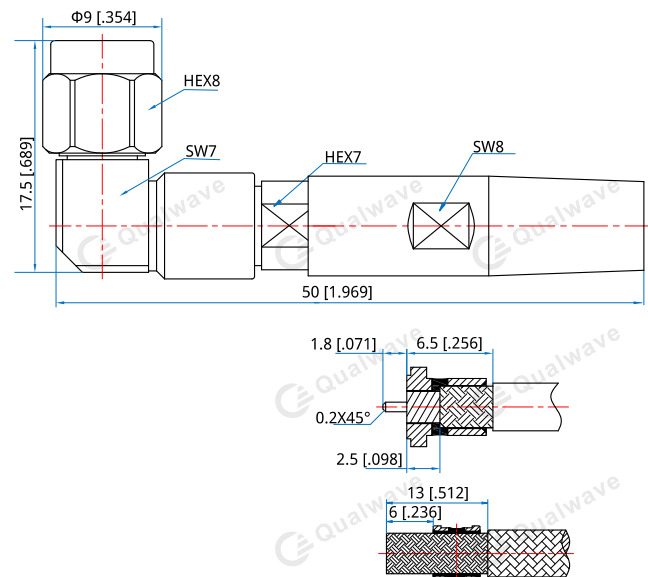
RF Connector:	SMA male right angle
Mating Cable:	QT50P
Outer Conductor:	Passivated stainless steel

How To Order

QCS-MRG-T50P-1

Customization is available upon request.

Outline Drawings



Unit: mm [in]

Tolerance: ±0.2mm [±0.008in]