

QCS-MRG-T50-1

SMA Male Right Angle

Features:
* Low VSWR

Applications:
* Wireless
* Radar
* Instruments
* Electronics

Electrical

Frequency:	DC~26.5GHz
VSWR:	1.25 max.
Impedance of Dielectric:	5000MΩ min.
Voltage Withstand:	1000Vrms min.
Impedance:	50Ω

Mechanical

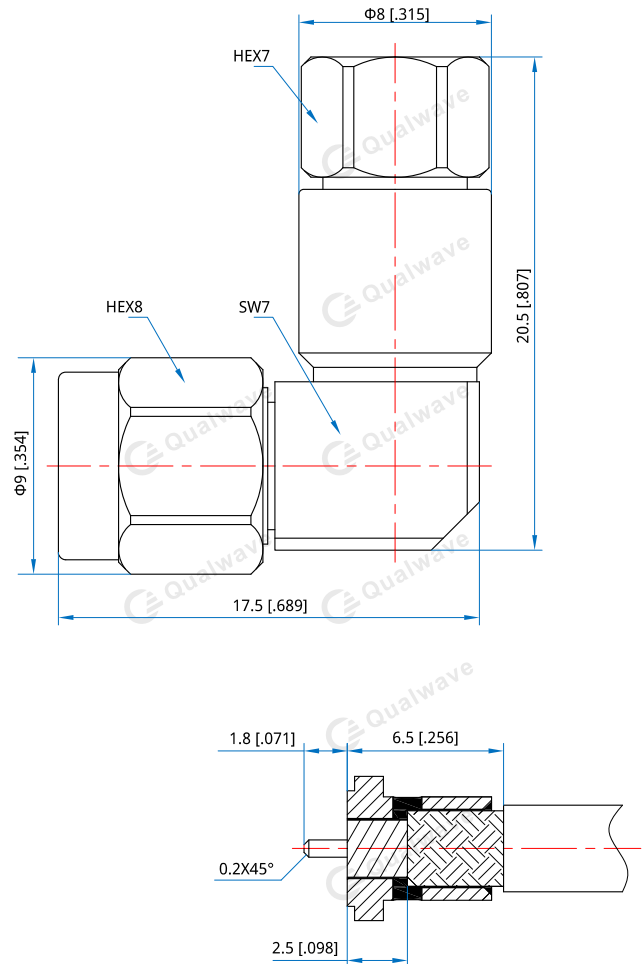
RF Connector:	SMA male right angle
Mating Cable:	QT50
Outer Conductor:	Passivated stainless steel

How To Order

QCS-MRG-T50-1

Customization is available upon request.

Outline Drawings



Unit: mm [in]
Tolerance: ±0.5mm [±0.02in]