

QCS-MRCB-RG316D-1

SMA Male Right Angle, Crimp

Features:
* Low VSWR

Applications:
* Wireless
* Radar
* Instruments
* Electronics

Electrical

Frequency:	DC-6GHz
VSWR:	1.3 max.
Impedance of Dielectric:	5000MΩ min.
Voltage Withstand:	500V DC
Impedance:	50Ω

Mechanical

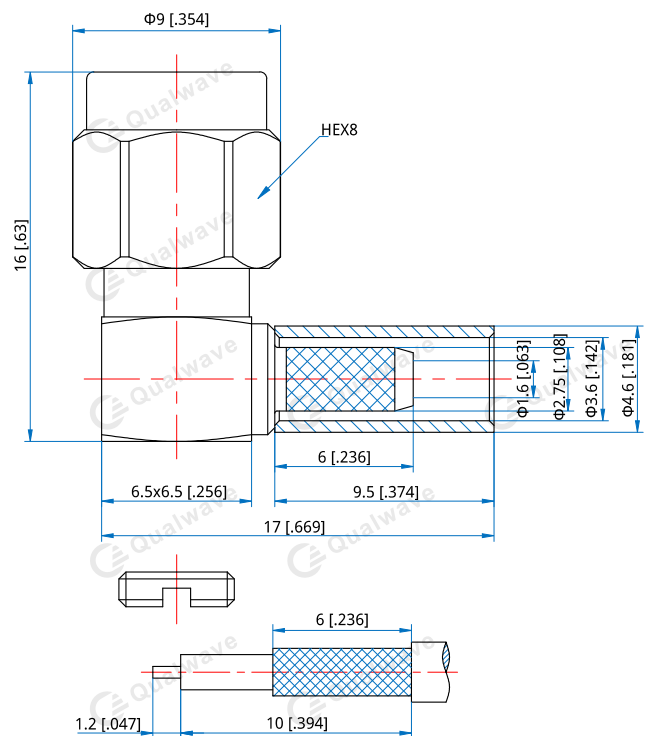
RF Connector:	SMA Male Right Angle
Mating Cable:	RG316D
Outer Conductor:	Gold plated brass
Dielectric:	PTFE
Innerr Conductor:	Gold plated brass

How To Order

QCS-MRCB-RG316D-1

Customization is available upon request.

Outline Drawings



Unit: mm [in]

Tolerance: ±0.2mm [±0.008in]