

QCS-MG-A220-1

SMA Male

Features:
* Low VSWR

Applications:
* Wireless
* Radar
* Instruments
* Electronics



Electrical

Frequency:	DC~26.5GHz
VSWR:	1.25 max.
Impedance of Dielectric:	5000MΩ min.
Voltage Withstand:	500V DC min.
Impedance:	50Ω

Mechanical

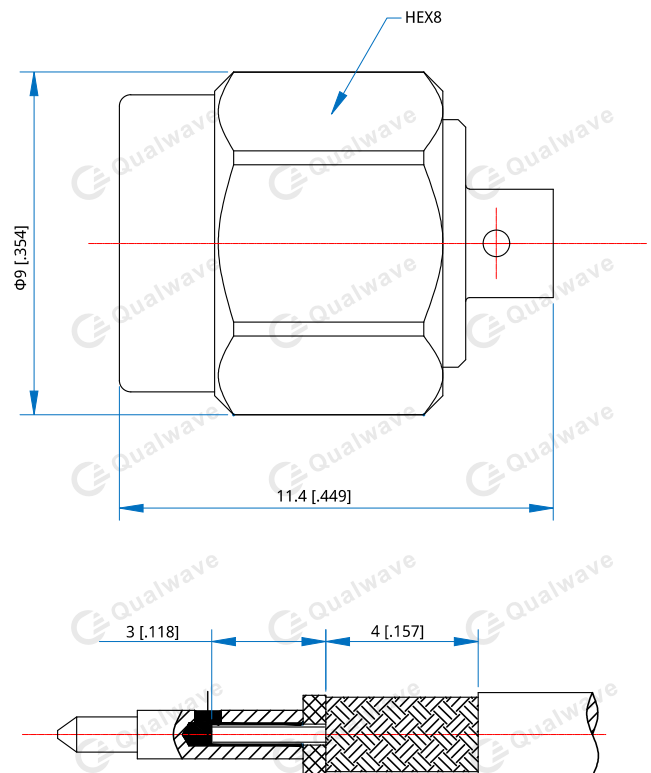
RF Connector:	SMA Male
Mating Cable:	QA220
Outer Conductor:	303F stainless steel

How To Order

QCS-MG-A220-1

Customization is available upon request.

Outline Drawings



Unit: mm [in]

Tolerance: $\pm 0.2\text{mm}$ [$\pm 0.008\text{in}$]