

# QCS-MB-141-4

## SMA Male

Features:  
\* Low VSWR

Applications:  
\* Wireless  
\* Radar  
\* Instruments  
\* Electronics

### Electrical

Frequency: DC~18GHz  
Impedance: 50Ω

### Mechanical

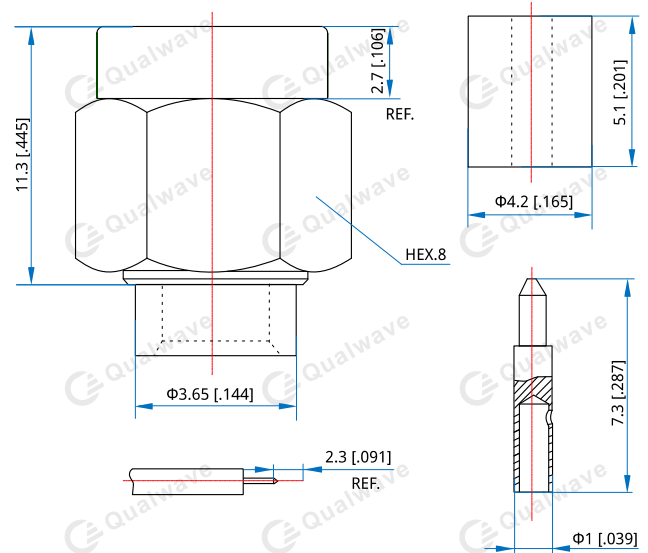
RF Connector: SMA Male  
Mating Cable: QH400, QE141, QD141  
Outer Conductor: Gold Plated Beryllium Alloy  
Copper  
Dielectric: PFA/PTFE  
Inner Conductor: Gold Plated Beryllium Alloy  
Copper  
Body: Gold Plated Beryllium Alloy  
Copper  
Gasket: VMQ (Silicone rubber)  
Coupling Nut : Gold Plated Bronze

### Environmental

Temperature: -65~+165°C

**How To Order**  
**QCS-MB-141-4**

### Outline Drawings



Unit: mm [in]  
Tolerance: ±0.2mm [±0.008in]