

# QCS-FL4B-086-1

## SMA Female

Features:  
\* Low VSWR

Applications:  
\* Wireless  
\* Radar  
\* Instruments  
\* Electronics

### Electrical

Frequency:	DC~18GHz
VSWR:	1.25 max.
Impedance of Dielectric:	5000MΩ min.
Voltage Withstand:	750V DC min
Impedance:	50Ω

### Mechanical

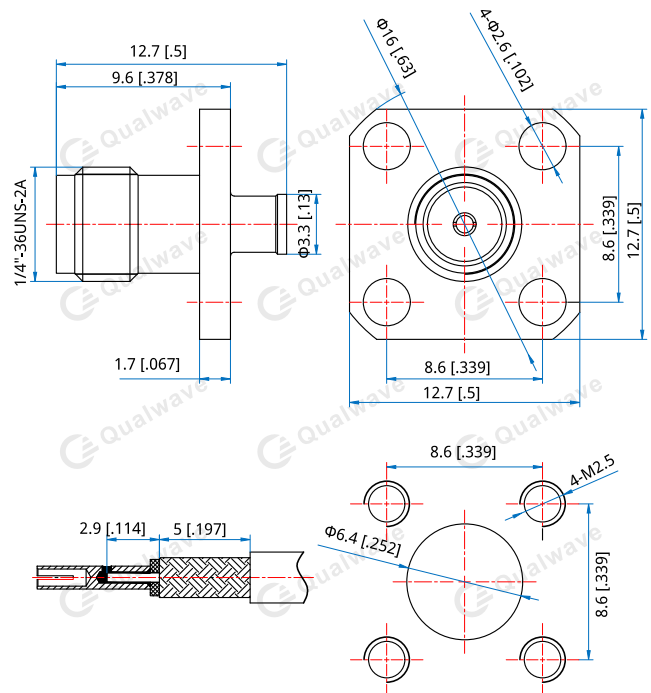
RF Connector:	SMA Female
Mating Cable:	QA220
Outer Conductor:	Gold plated beryllium copper
Dielectric:	PTFE
Inner Conductor:	Brass

### How To Order

#### QCS-FL4B-086-1

Customization is available upon request.

### Outline Drawings



Unit: mm [in]  
Tolerance: ±0.2mm [±0.008in]