

QCS-FL2B-086-1

SMA Female

Features:
* Low VSWR

Applications:
* Wireless
* Radar
* Instruments
* Electronics

Electrical

Frequency:	DC~18GHz
VSWR:	1.25 max.
Impedance of Dielectric:	5000MΩ min.
Voltage Withstand:	750V DC min
Impedance:	50Ω

Mechanical

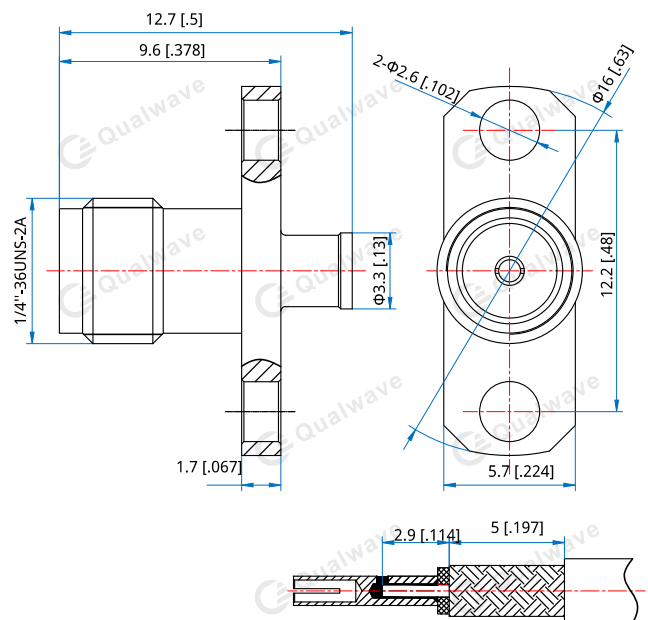
RF Connector:	SMA Female
Mating Cable:	QH280, QD086, QE086, RG316, RG316D
Outer Conductor:	Brass

How To Order

QCS-FL2B-086-1

Customization is available upon request.

Outline Drawings



Unit: mm [in]

Tolerance: $\pm 0.2\text{mm}$ [$\pm 0.008\text{in}$]