

# QCS-FHG-047-1

## SMA Female Bulk Head

Features:  
\* Low VSWR

Applications:  
\* Wireless  
\* Radar  
\* Instruments  
\* Electronics

### Electrical

Frequency:	DC~18GHz
VSWR:	1.35 max.
Impedance of Dielectric:	5000MΩ min.
Voltage Withstand:	500Vrms min

### Mechanical

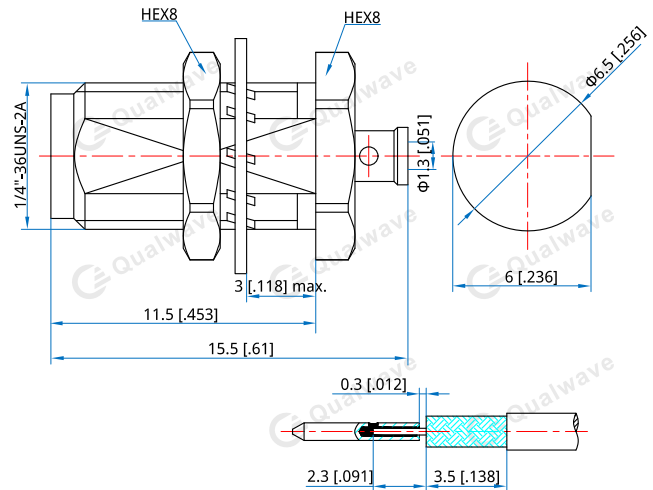
RF Connector:	SMA female bulk head
Mating Cable:	QA150, QH160, 047
Outer Conductor:	Passivated stainless steel
Inter Conductor:	Gold plated beryllium copper, Gold plated brass
Dielectric:	PTFE

### How To Order

**QCS-FHG-047-1**

Customization is available upon request.

### Outline Drawings



Unit: mm [in]  
Tolerance: ±0.1mm [±0.004in]