

# QCS-FG-A830-1

## SMA Female

Features:  
\* Low VSWR

Applications:  
\* Wireless  
\* Radar  
\* Instruments  
\* Electronics

### Electrical

Frequency: DC~18GHz  
VSWR: 1.3 max.  
Impedance: 50Ω

### Mechanical

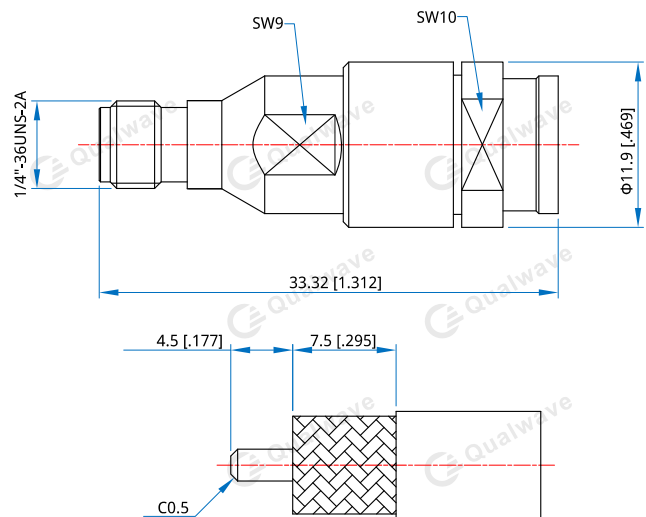
RF Connector: SMA Female  
Mating Cable: QA830  
Outer Conductor: Stainless steel 303 passivation  
Inner Conductor: Gold plated beryllium copper

### How To Order

**QCS-FG-A830-1**

Customization is available upon request.

### Outline Drawings



Unit: mm [in]

Tolerance: ±0.5mm [±0.02in]