

QCS-FG-A800-2

SMA Female

Features:
* Low VSWR

Applications:
* Wireless
* Radar
* Instruments
* Electronics

Electrical

Frequency: DC~18GHz
VSWR: 1.3 max.
Impedance: 50Ω

Mechanical

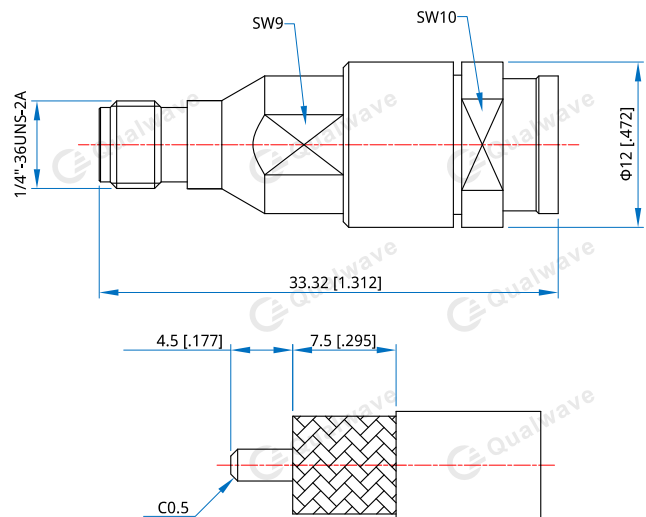
RF Connector: SMA Female
Mating Cable: QA800
Outer Conductor: Passivated stainless steel
Inner Conductor: Gold plated beryllium copper

How To Order

[QCS-FG-A800-2](#)

Customization is available upon request.

Outline Drawings



Unit: mm [in]
Tolerance: ±0.2mm [±0.008in]