

## QCS-FB-141-2

### SMA Female

Features:  
\* Low VSWR

Applications:  
\* Wireless  
\* Radar  
\* Instruments  
\* Electronics

#### Electrical

Frequency:	DC~18GHz
VSWR:	1.25 max.
Impedance of Dielectric:	5000MΩ min.
Voltage Withstand:	1000V DC min.
Impedance:	50Ω

#### Mechanical

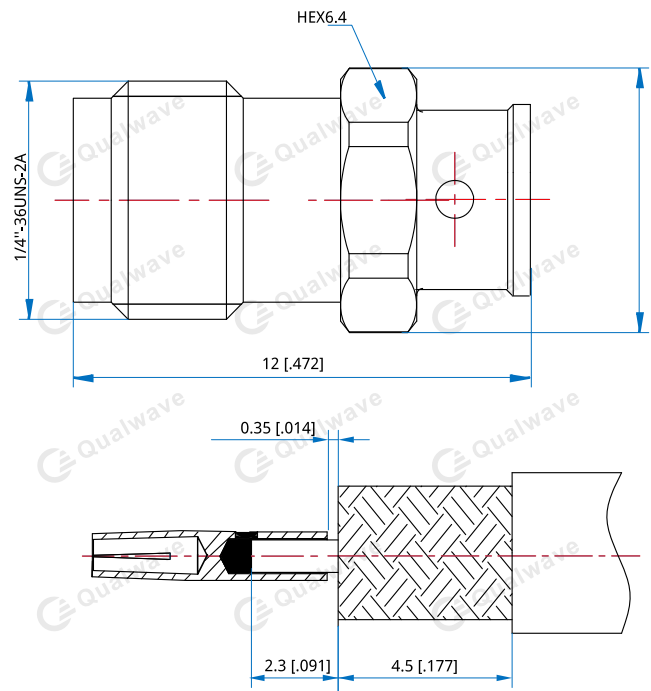
RF Connector:	SMA Female
Mating Cable:	QH400, QD141, QE141
Outer Conductor:	Gold plated brass

#### How To Order

##### QCS-FB-141-2

Customization is available upon request.

#### Outline Drawings



Unit: mm [in]

Tolerance:  $\pm 0.2\text{mm}$  [ $\pm 0.008\text{in}$ ]